

ZG-series

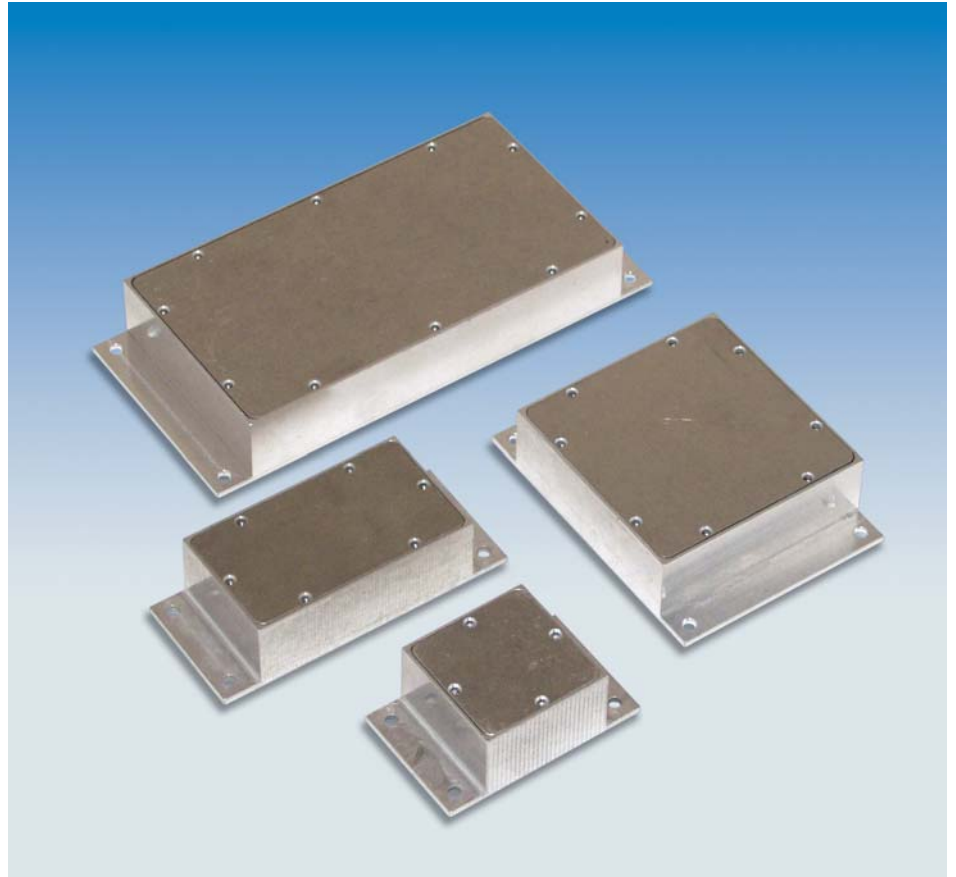
The ZG aluminum enclosures are designed to built-in RF/microwave hybrid-thin-film- and stripline-circuits.

The ZG-series represent an ideal enclosure for RF hybrid circuits and LSI applications. All inside dimensions are in inch.

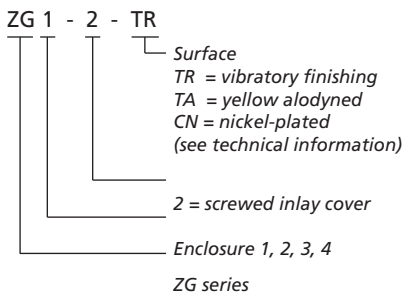
- Material
Aluminum base alloy
- Content of delivery
Enclosures with inlay cover and the mounting screws M2.



Enclosures with inlay cover and the mounting screws M2.



Configuration of model designation

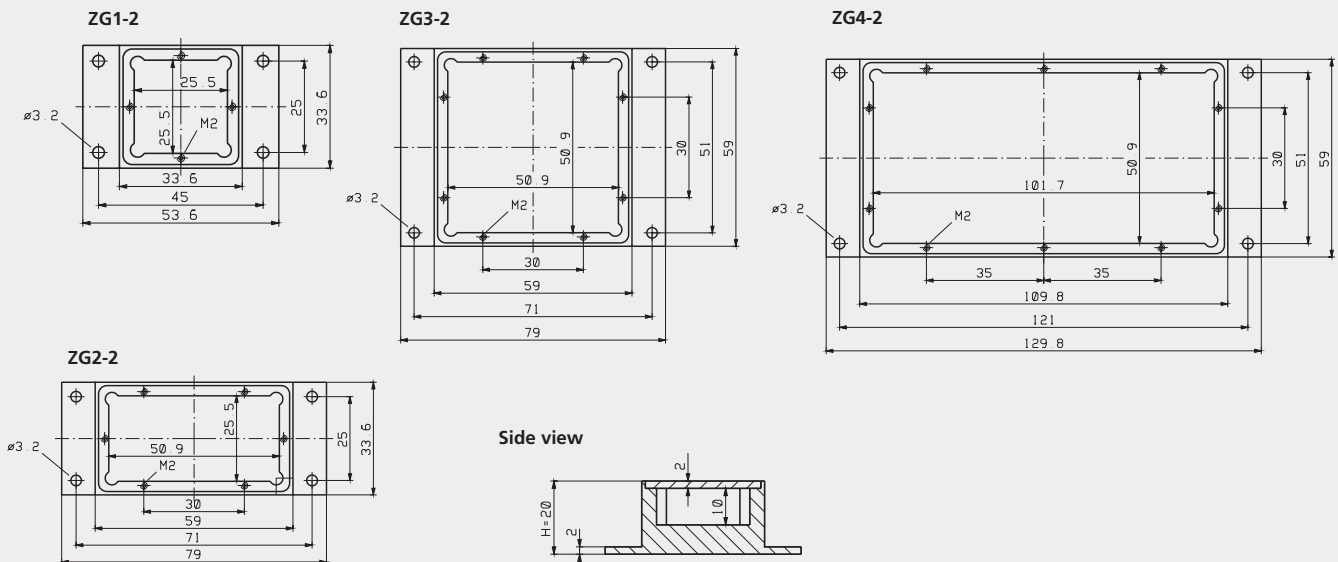


Dimensions, ZG series

Basic design	ZG1-2	ZG2-2	ZG3-2	ZG4-2
Dimensions				
Outside (mm)	33,6 x 53,6 x 20*	33,6 x 79 x 20*	59 x 79 x 20*	59 x 129,8 x 20*
Circuit board	1" x 1"	1" x 2"	2" x 2"	2" x 4"

* Other dimensions on request!

Dimension, ZG series



All dimensions in mm