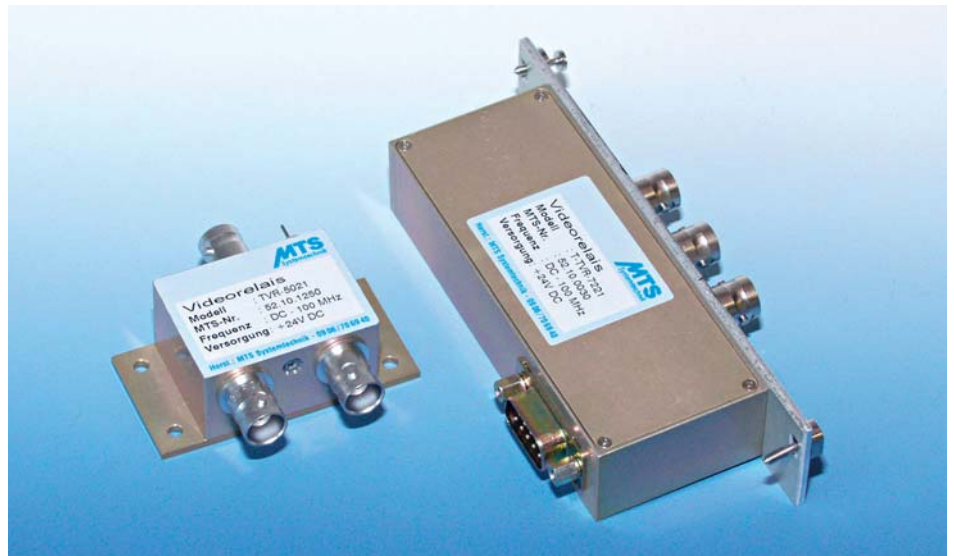
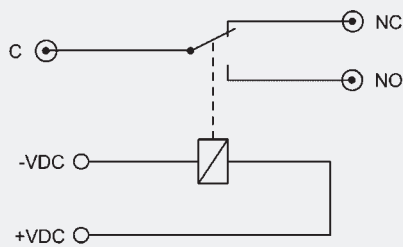


## Series TVR and T-TV

- For high resolution monitors and applications at the RF-band
- High insulation
- Low insertion loss
- Impedance optional 50 Ω or 75 Ω
- With BNC connectors (others on request)
- Available at short notice (mostly ex stock Donauwörth)
- Aluminium enclosures (RF shielded)
- Special types on request



### Configuration SPDT

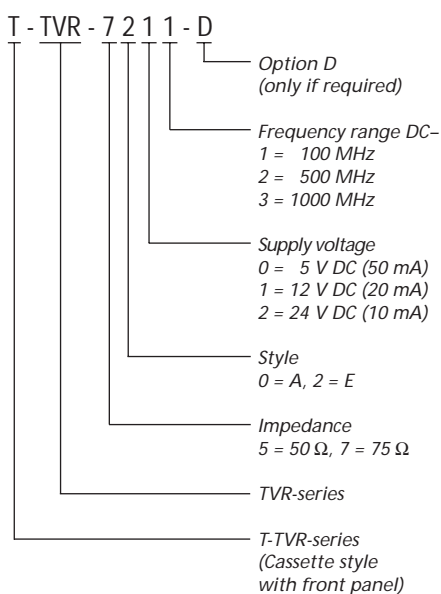


### Technical data (guaranteed values at +25 °C)

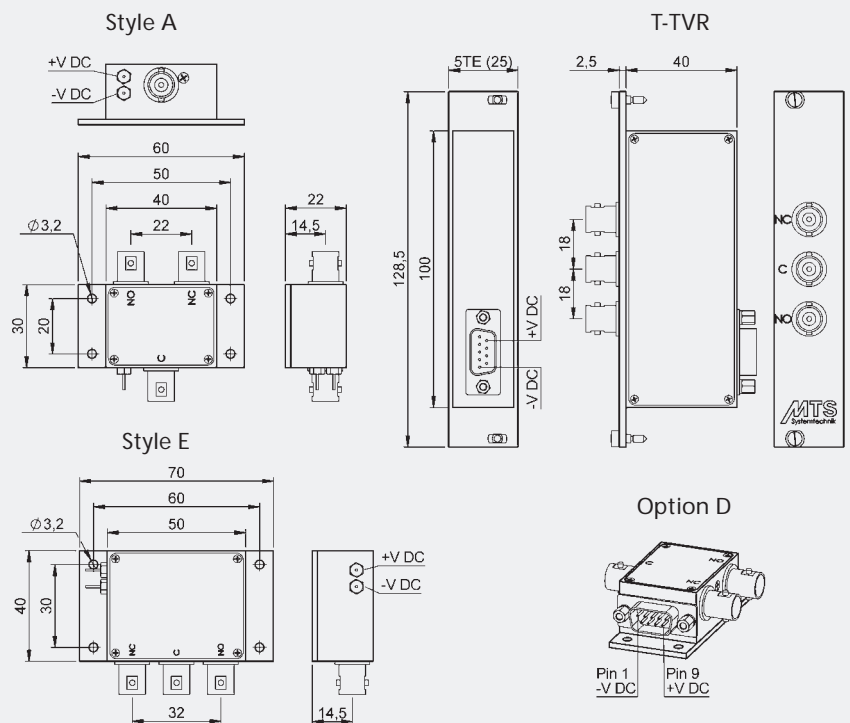
Frequency range	DC to 100 MHz	DC to 500 MHz	DC to 1000 MHz
Insolation	70 dB	60 dB	50 dB
Insertion loss	0,20 dB	0,30 dB	1,0 dB
VSWR	1,2 : 1	1,4 : 1	2,0 : 1
Maximum RF-power*	10 W CW	10 W CW	10 W CW
Switching time	15 ms	15 ms	15 ms
Life cycles	10 <sup>6</sup> cycles	10 <sup>6</sup> cycles	10 <sup>6</sup> cycles
Type	A, E, T-TV	A, E, T-TV	A, E, T-TV
Option D	The control lines are connected with a 9-pole-SUB-D connector (standard at T-TV) instead of DC-feedthrough filters.		

\*cold switching

### Model designation



### Dimensions, serie TVR and T-TV



All dimensions in mm