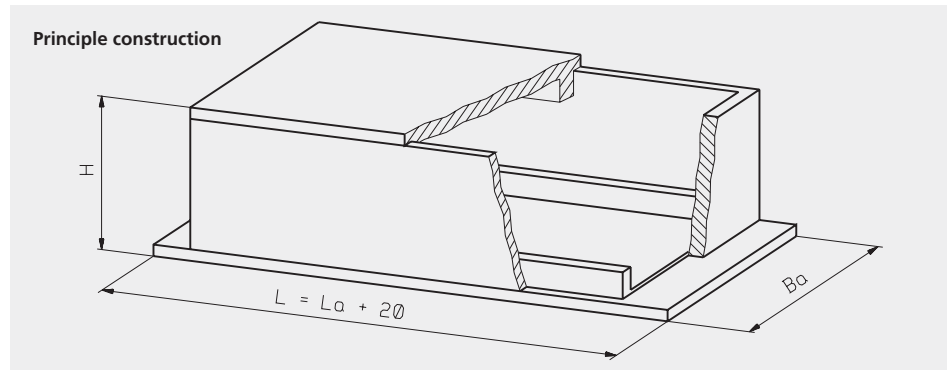


## SG series

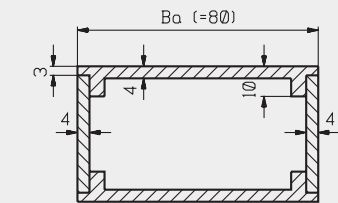
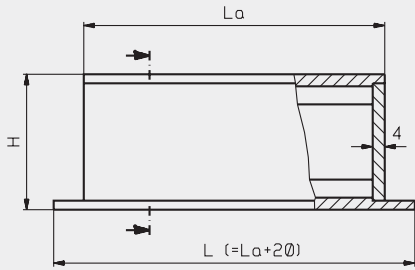
The corpus of the enclosures are made out of a square pipe. The enclosures are closed with profile covers (see chapter "profiles").

These are designed once as flush locked covers and once as exceeding bottoms, like a mounting flange. Especially they are suitable for mounting power supplies, control devices, switches or similar components. The profile webs in the bottom plate can be used as support. If other dimensions are desired, please see the G-series.

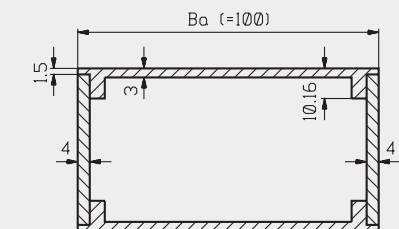
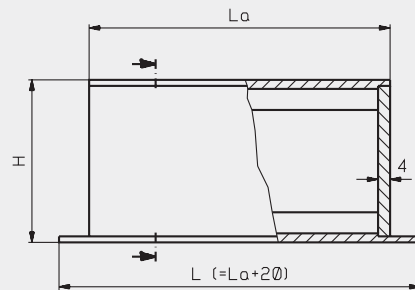


### Dimensions of enclosures with profile bottom plates and covers, SG series

#### Series SG80-...



#### Series SG100-...



Dimensions in mm

### Technical details and information of ordering

Design	dimensions (mm)			
	Ba	La	L	H
SG80-60-45-TR	80	60	80	45
SG80-80-45-TR	80	80	100	45
SG80-80-65-TR	80	80	100	65
SG80-100-45-TR	80	100	120	45
SG80-100-65-TR	80	100	120	65
SG80-140-40-TR	80	140	160	40
SG80-140-45-TR	80	140	160	45
SG80-140-50-TR	80	140	160	50
SG80-140-73-TR	80	140	160	73
SG80-150-40-TR	80	150	170	40
SG80-150-45-TR	80	150	170	45
SG80-150-50-TR	80	150	170	50
SG80-150-73-TR	80	150	170	73
SG80-160-40-TR	80	160	180	40
SG80-160-45-TR	80	160	180	45
SG80-160-50-TR	80	160	180	50
SG80-160-73-TR	80	160	180	73
SG80-200-40-TR	80	200	220	40
SG80-200-56-TR	80	200	220	56
SG80-200-86-TR	80	200	220	86
SG80-220-40-TR	80	220	240	40
SG80-220-56-TR	80	220	240	56
SG80-220-86-TR	80	220	240	86
SG100-100-40-TR	100	100	120	40
SG100-100-45-TR	100	100	120	45
SG100-100-50-TR	100	100	120	50
SG100-100-73-TR	100	100	120	73
SG100-150-40-TR	100	150	170	40
SG100-150-45-TR	100	150	170	45
SG100-150-50-TR	100	150	170	50
SG100-150-73-TR	100	150	170	73
SG100-200-40-TR	100	200	220	40
SG100-200-45-TR	100	200	220	45
SG100-200-50-TR	100	200	220	50
SG100-200-73-TR	100	200	220	73