

## Series RRK

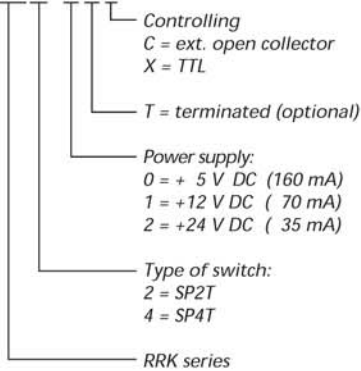
- RF-relays with SMA connectors
- Application: Use at the VHF-, UHF-, GSM-, Tetra-range
- Aluminium enclosures (RF shielded)
- Low-priced and available at short notice

### Technical data (gar. values at +25 °C)

Frequency range	DC to 1700 MHz
Type of switch	SP2T / SP4T
Impedance	50 Ω
RF-connectors	SMA
Maximum RF-power	10 W CW (cold switching) (optionally terminated max. 1 W)
Switching cycles	3 x 10 <sup>6</sup> (cold switching)
Switching time	
-set:	10 ms max., 6 ms typ.
-reset:	6 ms max., 4 ms typ.
Controlling:	TTL or direct externally switching to ground (open collector)
Control line connector:	SUB-D 9-poles
Operating temperature:	-10 to +50 °C (at normal work)

### Construction of model designation

#### RRK4 - 2 T X



Frequency range	Isolation on/off	Isolation in/out	Isolation out/out	Insertion loss	VSWR in/out	VSWR terminated
<b>SP2T</b>						
DC to 200 MHz	>85 dB	>80 dB	>85 dB	<0,2 dB	<1,3 : 1	<1,3 : 1
200 to 500 MHz	>80 dB	>75 dB	>80 dB	<0,3 dB	<1,3 : 1	<1,5 : 1
500 to 1100 MHz	>75 dB	>60 dB	>75 dB	<0,55 dB	<1,7 : 1	<1,5 : 1
1100 to 1400 MHz	>65 dB	>50 dB	>70 dB	<0,6 dB	<1,7 : 1	<2,5 : 1
1400 to 1700 MHz	>60 dB	>45 dB	>65 dB	<1,2 dB	<2,2 : 1	<4,0 : 1

Frequency range	Isolation on/off	Isolation in/out	Isolation out/out	Insertion loss	VSWR in/out	VSWR terminated
<b>SP4T</b>						
DC to 200 MHz	>90 dB	>80 dB	>80 dB	<0,2 dB	<1,2 : 1	<1,2 : 1
200 to 500 MHz	>80 dB	>75 dB	>75 dB	<0,3 dB	<1,2 : 1	<1,3 : 1
500 to 1100 MHz	>70 dB	>60 dB	>65 dB	<0,5 dB	<1,5 : 1	<1,3 : 1
1100 to 1400 MHz	>65 dB	>50 dB	>60 dB	<1,2 dB	<2,1 : 1	<2,0 : 1
1400 to 1700 MHz	>60 dB	>45 dB	>55 dB	<1,2 dB	<2,1 : 1	<3,0 : 1

### Dimensions, series RRK

