

RG series

Low weight enclosures milled out of a full aluminum block with rounded edges. Ideal for batteries or portable power supply. The RG series is used in the medical industry also.

Material

- Enclosures
Aluminum base alloy

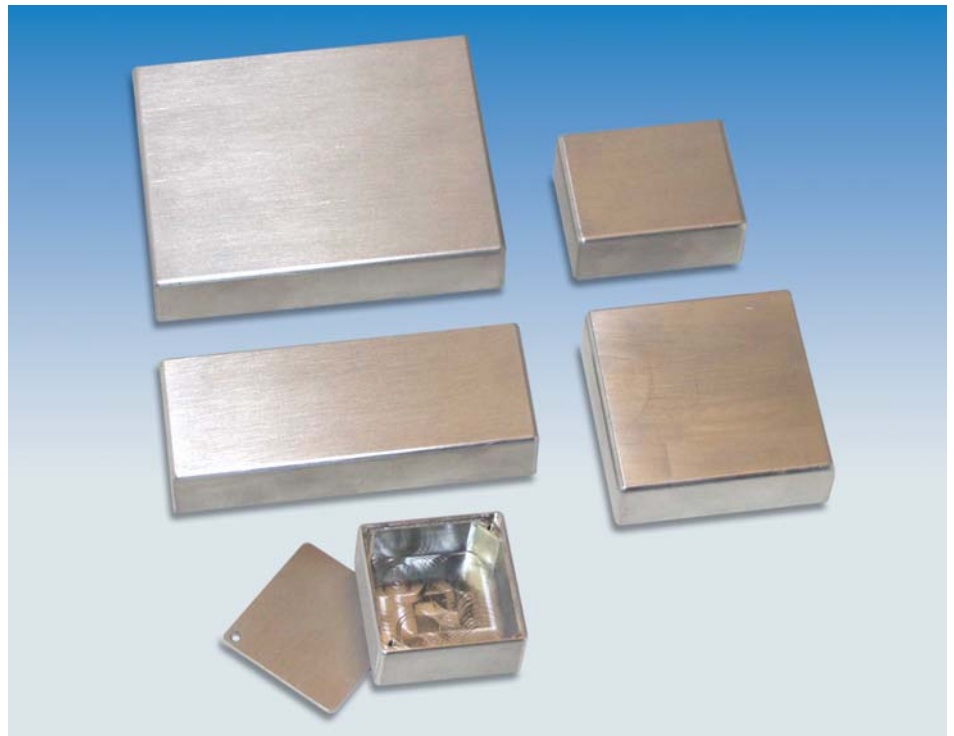
- Cover
Aluminum base alloy

Option (on request)

- Material
- Surface (colored anodize)
- Treatment and colored anodizing as desired
- Other dimensions are possible

Content of delivery

Enclosures include cover and screws



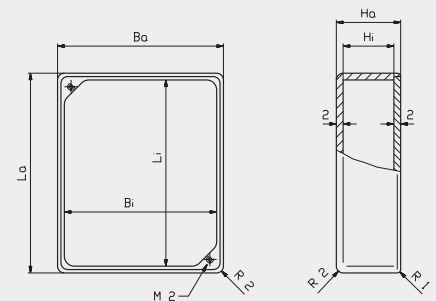
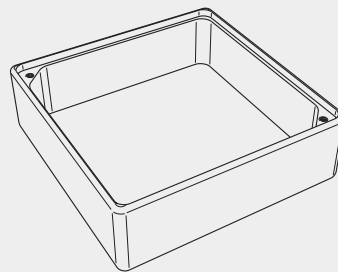
Configuration of model designation

RG6 - TR

Surface
TR, TA, TN, TE + color
(see technical information)

Model

Dimensions, RG series



Dimensions in mm

Standard design

Design	dimensions (mm)					
	La	Li	Ba	Bi	Ha	Hi
RG1	39	35	39	35	19	15
RG2	49	45	49	45	19	15
RG3	59	55	59	55	19	15
RG4	79	75	79	75	19	15
RG5	99	95	99	95	19	15
RG6	49	45	39	35	19	15
RG7	59	55	39	35	19	15
RG8	79	75	39	35	19	15
RG9	99	95	39	35	19	15
RG10	59	55	49	45	19	15
RG11	79	75	49	45	19	15
RG12	99	95	49	45	19	15
RG13	99	95	79	75	19	15