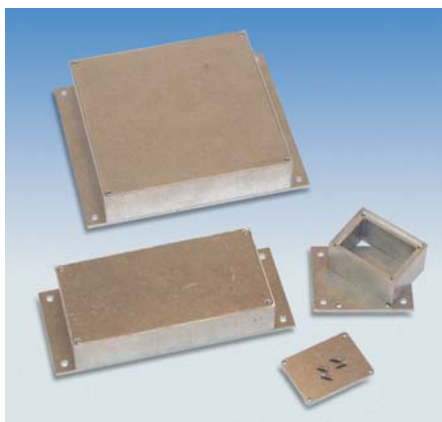


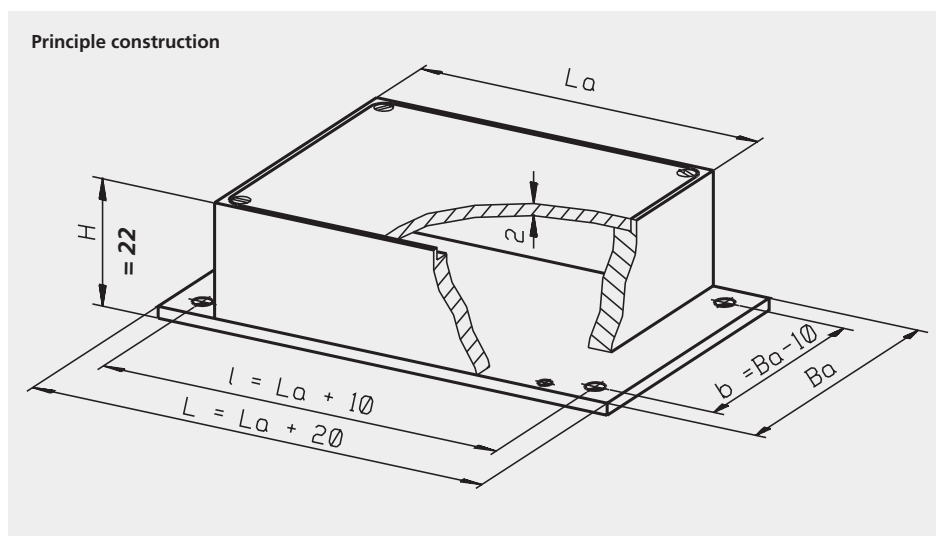
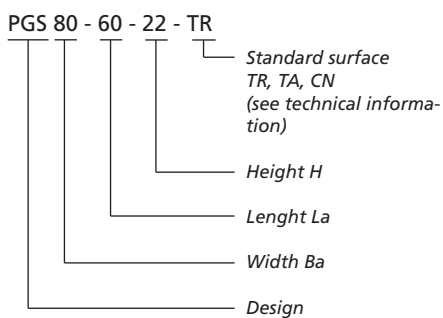
## PGS series

All enclosures of PGS series are equipped with a flat bottom plate and an inlay cover, which get screwed in the enclosures. The PGS series are suitable to built-in rf-components, hybrid circuits and all kinds of small components.

PGS enclosures are very sturdy and extensively RF shielded. Enclosures, covers and bottom plates are made out of aluminum. All of our enclosures of the PGS series have the same height of 22 mm. If other heights are needed, see the G series.



### Construction of model designation



### Technical data and information for ordering

Design	dimensions (mm)			
	Ba	La	L	l
PGS40-30-22-TR	40	30	50	40
PGS40-40-22-TR	40	40	60	50
PGS40-50-22-TR	40	50	70	60
PGS40-60-22-TR	40	60	80	70
PGS40-80-22-TR	40	80	100	90
PGS40-100-22-TR	40	100	120	110
PGS40-120-22-TR	40	120	140	130
PGS40-150-22-TR	40	150	170	160
PGS40-180-22-TR	40	180	200	190
PGS50-40-22-TR	50	40	60	50
PGS50-50-22-TR	50	50	70	60
PGS50-60-22-TR	50	60	80	70
PGS50-80-22-TR	50	80	100	90
PGS50-100-22-TR	50	100	120	110
PGS50-120-22-TR	50	120	140	130
PGS50-150-22-TR	50	150	170	160
PGS50-180-22-TR	50	180	200	190
PGS50-200-22-TR	50	200	220	210
PGS60-60-22-TR	60	60	80	70
PGS60-80-22-TR	60	80	100	90
PGS60-100-22-TR	60	100	120	110
PGS60-140-22-TR	60	140	160	150
PGS80-60-22-TR	80	60	80	70
PGS80-80-22-TR	80	80	100	90
PGS80-100-22-TR	80	100	120	110
PGS80-140-22-TR	80	140	160	150
PGS80-150-22-TR	80	150	170	160
PGS80-160-22-TR	80	160	180	170
PGS80-200-22-TR	80	200	220	210
PGS80-220-22-TR	80	220	240	230
PGS100-100-22-TR	100	100	120	110
PGS100-150-22-TR	100	150	170	160
PGS100-200-22-TR	100	200	220	210