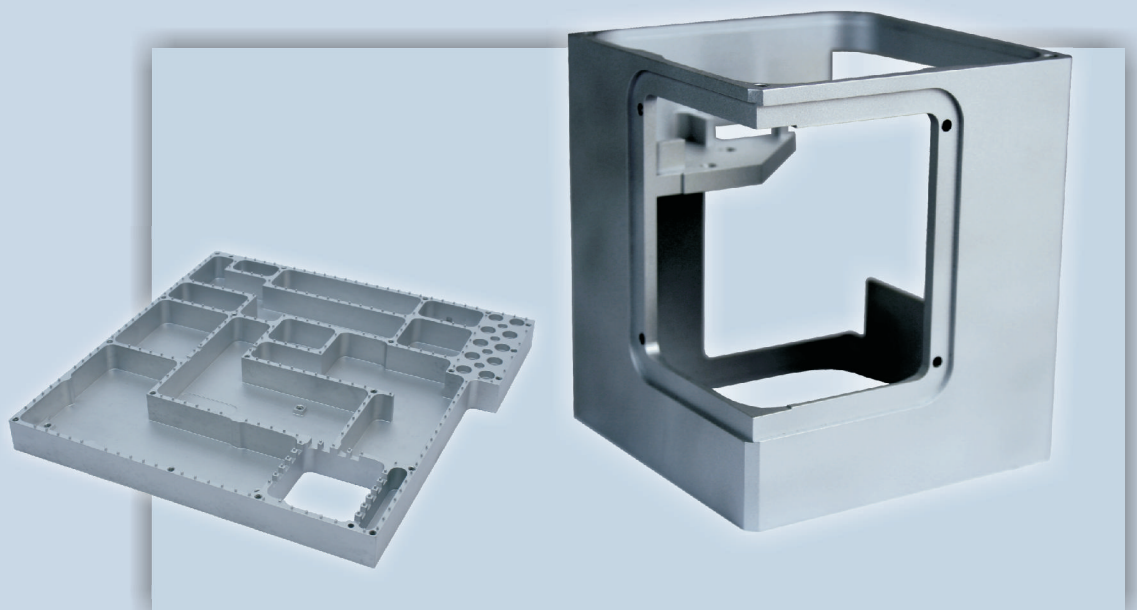


Spectrum of performance mechanics





CNC milling

As a competent partner, we produce high-quality precision milling parts for the electronic-, aerospace and optical industry.

We are specialized in chipping of light metal alloy, coloured metal, plastic material and *magnesium*.

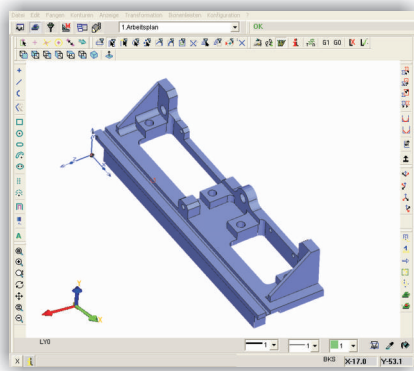
A direct data import makes a reduced reaction time possible.

- Modern Treatment Center of 5-axe-CNC-technology
- Process Technology (5 axle): X 600 mm, Y 450 mm, Z 450 mm
- Complex Multi-Side Treatment

Prototypes, parts and small series (up to 5000 pieces) are in our standard product range, therefore we are in the position to satisfy customer wishes quick.

Our machinery consists of 3- and 5-axe Treatment Centers as well as a CNC engraving machine.

To round-up our spectrum of performance, several alloy treatment companies work with us together. Due to this, it is possible for us to provide you with alloys of all kinds, e.g. chrome (RoHS/WEEE conform), chemical nickel, coloured anodized (all common colours), chromized (on request), varnished, blasted, silk-screen print and a lot more. If requested, the products can be mounted and equipped by our company.



CAM software - hyper FACT

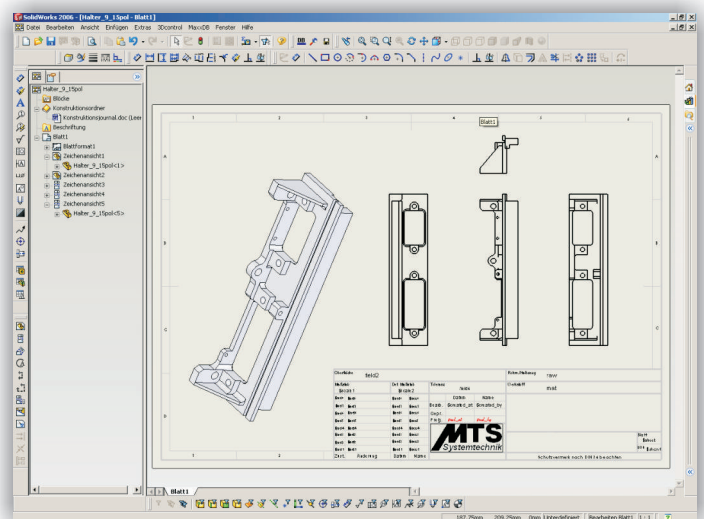
CAD construction - CAM transfer

Our CAD Department is able to change your drafts and sketches in high-quality technical drawings (3D display) with the help of most modern 3D-CAD programs (Solid Works) in short time.

Complex component assemblies and/or parts belong to our service range as well as coloured printings up to DIN A0.

Because of a modern CAM program it is possible to guarantee you a quick transfer of external and internal design data (several data formats possible) to our control system.

We constantly up-date our CAD and CAM programs and the own technical sale as well as the Internet guarantee a close relationship to the customer.



CAD software - SolidWorks

Customized products out of the catalogue

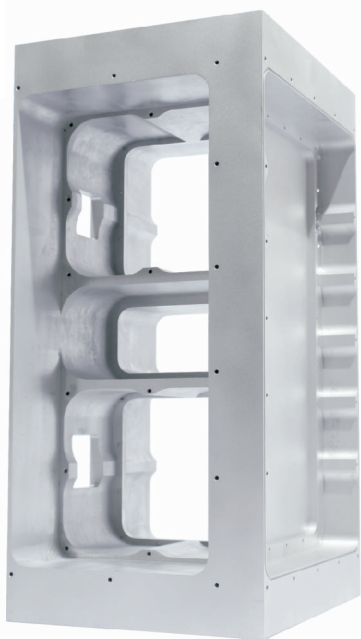
For our numerous customers in the electronic development and production industry we offer a variety of our own products in the MTS catalogue (see rearside). Front plates, rear plates, enclosures and boxes can also be quoted with mechanical treatments like drillings, millings and threads for e.g. connectors, fuses, switches, LEDs, DC-feedthroughs etc..

A lot of the drill-hole pattern and standard millings which are necessary to built-in common components have

been safed as files in our CNC machines and can be retrieved quickly.

A sketch with the designation of the drill-hole pattern and their position is enough to start production. On request we'll send you CAD drawings of our enclosures in which you can mark your own drillings and millings.

Surface treatments, Silk-screen print or engraved inscriptions are also possible.



Proportion 1:1

Measurements in 3 dimensions

Due to the use of a modern measurement technique we are able to get complex measurement purposes efficient and quick done. To show you the spectrum of performance in the quality assurance, here some examples:

- Specimen test report
- Computer-controlled measurement

Machine specification:

- Diagram of measurement results
- Measurement accuracy $\pm 0,004$ mm
- Process Technology (ETALON):
X 400 mm, Y 500 mm, Z 400 mm
- 360° swivelling measurement head



RF-systems and -units

Data technology

Mechanical products

Gewerbepark Ost 8
D-86690 Mertingen
Germany
Phone: +49 (0) 90 78 / 9 12 94-0
Fax: +49 (0) 90 78 / 9 12 94-70
info@mts-systemtechnik.de
www.mts-systemtechnik.de

Further Information

Do not hesitate and order our free brochures and catalogues in German or English today. In our mechanic catalogue you will find a large selection of standard enclosures mostly ex stock and deliverable at short notice. Please visit our website to get an overview about our product range.

Further
Information

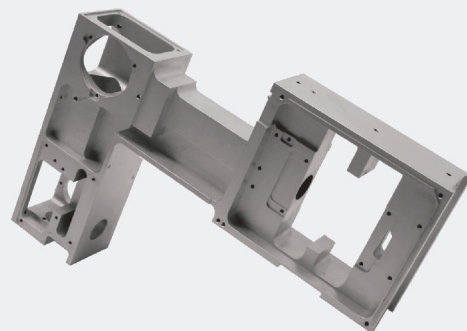
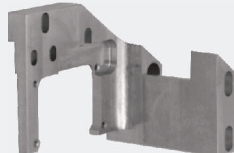


References

Today notable companies of the electronic industry all over Europe belong to our customers:

- Alcatel
- Arpege Défence
- Audi
- Bosch Motorsport
- Bosch
- Cern
- Danet
- DB Telematik
- DESY
- Diehl Luftfahrt
- DLR
- EADS
- Ericsson
- ESA
- Eurocopter
- Infineon
- Jenaer Antriebstechnik
- Leica
- Lucent Technologie
- ND SatCom
- O₂
- Omicron
- PTB
- RIM
- Rohde & Schwarz
- SBS
- Serco
- Siemens
- Tesat
- Thomson
- T-Mobile
- Vodafone

References



The MTS would like to introduce itself:

The MTS Systemtechnik GmbH is a flexible and middle-sized company, which was founded in 1980 as a development and production company. Since then the MTS's special field is the signal distribution and modification in the RF-technology. Nowadays we manufacture products and systems for the mobile radio, laboratory, satellite communication and video respectively audio field. Following you can find our product range in extracts:

Product
overview

Systems and Units

- Signal distribution units
- Antenna distrib. units / multi couplers
- Combiners
- Remote controlled switching units
- Filter units
- Ventilation units
- Matrices
- Coupling units
- Air field emulations serie AIAD
- Shielding boxes serie MSB

- Coaxial short circuits
- Power attenuators and power terminations
- Signal dividers, power splitters, combiners and multi couplers
- Programmable step attenuators
- Coaxial cable assemblies
- Bias tees
- Directional couplers
- Impedance matching modules
- PC controlled components
- Amplifiers

Data Technology

- Controller cards and accessories for operators in electronic
- Control units
- Custom specified interface units
- Development of firm- and software according to customer's wishes

Services

- CAD development and customer specified CNC milled modules
- Mounting of components to and testing of RF printed circuit boards
- Engineering service
- Programming service

Distribution for IMS Connector Systems GmbH

- Coaxial connectors
- Terminations
- Coaxial adapters
- Coaxial cable assemblies

Components

- Coaxial relays
- Multi channel switches
- Videorelays
- Feedthrough terminations
- DC-blocks
- Fixed attenuators
- Terminations
- Semiconductor -switches & - attenuators

Mechanical Modules

- RF shielded enclosures
- Structural enclosures
- Custom specified enclosures
- Milled components
- Milled cassettes
- Cassette enclosures
- 19"-racks