

## Shielding Box MSB-0200

MTS-No.: R59.61.0200

### Application

For measurements and tests of electronic devices such as mobile phones, notebooks, evaluation boards etc. without electromagnetic disturbances from the environment.

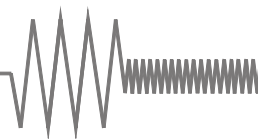
### Description

MTS Systemtechnik GmbH has developed a compact and movable EMC screened 'room', to fulfil multipurpose requirements. The stable construction of the Shielding Box series MSB is predestined for high test appearance due to the easy, singled-handed open-close function. The test devices can either be clamped into an universal mobile phone attachment or put simply into the Shielding Box. The operation of the test samples can be done directly through the built-in flexible wire mesh or by using the numerous included communication interfaces.



### Characteristics

- ▶ Highest quality materials for extended life time and high test appearance
- ▶ Economical solution for high RF shielding levels and reproducible test scenarios to avoid time-consuming and expensive tests at EMC laboratories
- ▶ Usable for frequencies between 500 MHz to 6000 MHz, such as GSM / DCS / DECT / UMTS / RFID / ZigBee / Bluetooth / WLAN etc.
- ▶ Easy operation of the test samples directly through the built-in flexible wire mesh
- ▶ Weight optimized structure improves the mobility
- ▶ Highest safety standards through increased slip resistance and gas prop cover holder
- ▶ Integrated universal attachment for most types of mobile phones
- ▶ A wide range of supply and communication interfaces are included as standard
- ▶ Optional interfaces and connectors to customers specifications
- ▶ Shielding Boxes with other dimensions can be designed according to customers individual requirements



## Shielding Box MSB-0200

MTS-No.: R59.61.0200

### Configuration:

2x N connections, 2x SUB-D 9-pole (RS-232), 2x2 USB 2.0, 2x banana jack (voltage connectors) and 1x 230 V power plug

### Technical data:

#### 1 RF-specifications:

1.1 Impedance	50 $\Omega$
1.2 Frequency range	500 MHz – 6000 MHz
1.3 Shielding	90 dB typ. 500 MHz – 2 GHz, 70 dB typ. 2 GHz – 4 GHz, 65 dB typ. 4 GHz – 5 GHz 55 dB typ. 5 GHz – 6 GHz

3.7 Surface	Aluminum chem. nickel plated (20 - 25 $\mu\text{m}$ )
3.8 Weight	10 kg

#### 2 Connectors (outside / inside):

2.1 Antenna interface	2x N female / N female
2.2 RS-232 Interface	2x SUB-D 9-pole female / SUB-D 9-pole male
2.3 USB interface	4x USB 2.0 type A female / type A female
2.4 Voltage connectors	2x banana jack 4 mm / banana jack 4 mm filtered, with protection against polarity reversal (+VDC, -VDC)
2.5 Ground connection	Screw M4 outside
2.6 Mains voltage supply	Power plug (IEC 60320 C14) / 230 V AC power jack (CEE7/4), filtered

#### 4 Delivery package:

Shielding Box MSB-0200
1 Closed cover
1 Cover with built-in flexible wire mesh
1 Mains cable
1 Universal mobile phone attachment
Operation manual and configuration sheet on CD

#### 5 Comments:

Warranty	12 months
RoHS-compliance	Yes

#### 3 General specifications:

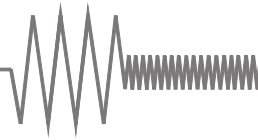
3.1 Power supply AC	100 V - 240 V AC, 60 Hz, 1 A max.
3.2 Power supply DC	30 V max., 5 A max.
3.3 Operating temperature	+0 °C - +50 °C The equipment should not be subjected to extreme temperatures and variations in temperature.
3.4 Reference temperature for specifications	+25 °C
3.5 Dimensions (without protruding parts, like handles, connectors, etc.)	Outside: 418 x 268 x 163 (LxWxH in mm) Inside: 402 x 252 x 113 (LxWxH in mm)
3.6 Field of vision	190 x 130 (LxW in mm)

#### 6 Recommended accessories:

USB-cable type A / type A
Lighting bar
Stripe antenna
Measurement cable assemblies

#### 7 Possible options:

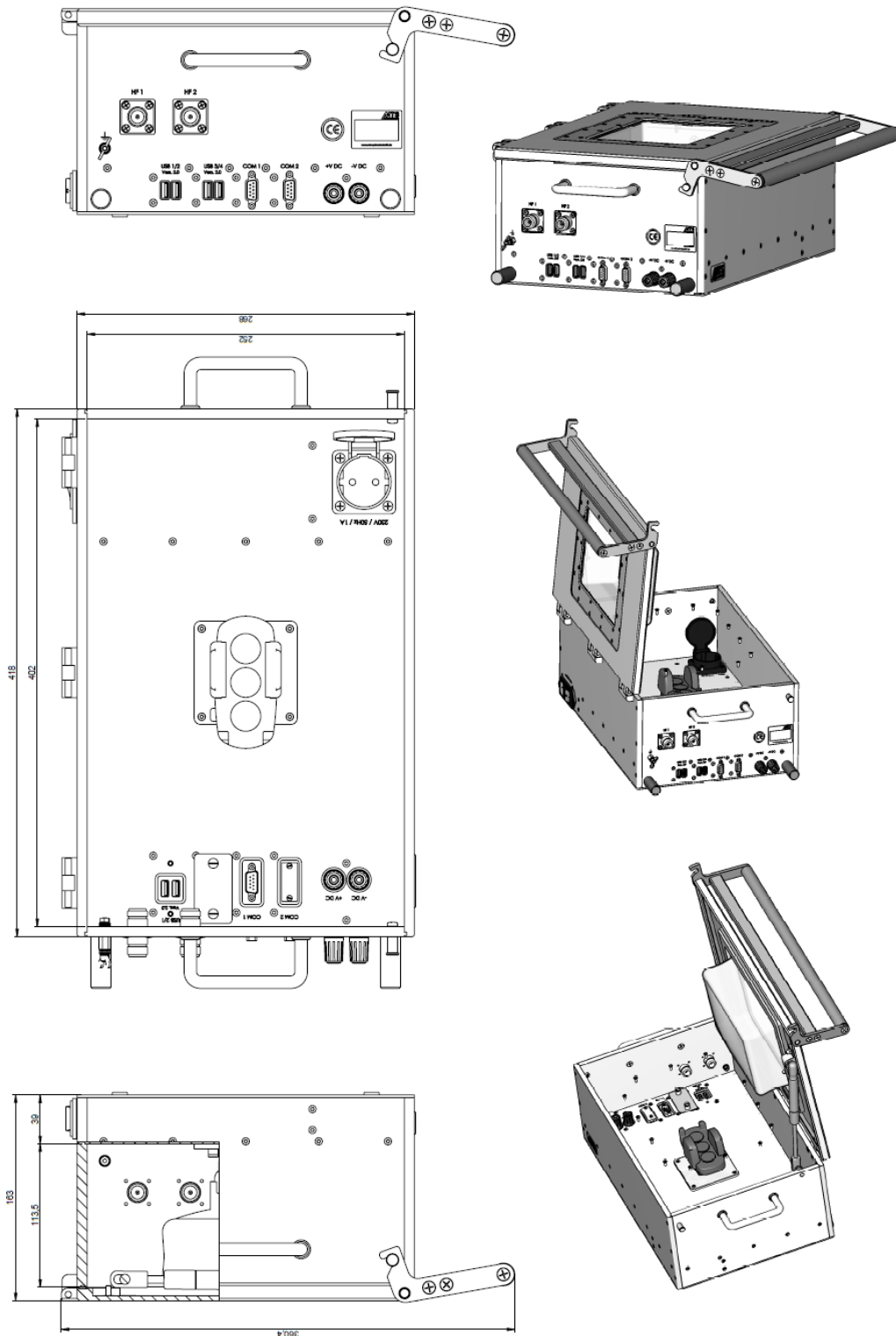
Additional or other RF-connectors
VGA Interface
LAN Interface 100 Mbit, filtered by optical media converter
RF-absorber mats Hyfral APC8
Ferrite absorber C-RAM FT
Infrared window
Locking (for padlock)
Ventilation (fan)
Mobile phone attachment with Velcro® fastening

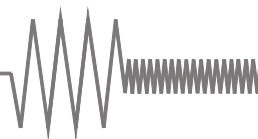


# Shielding Box MSB-0200

MTS-No.: R59.61.0200

Views:





## Shielding Box MSB-0200

MTS-No.: R59.61.0200

### Shielding:

Mean shielding 500 MHz - 6000 MHz (typ.)

