

Shielding Box MSB-0021-Absorber

MTS-No.: 59.61.0021

Application

For measurements and tests of electronic devices such as mobile phones, notebooks, evaluation boards etc. without electromagnetic disturbances from the environment.

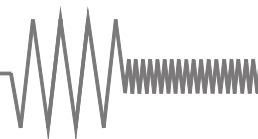
Description

MTS Systemtechnik GmbH has developed a compact and movable EMC screened 'room', to fulfil multipurpose requirements. The stable construction of the Shielding Box series MSB is predestined for high test appearance due to the easy, singled-handed open-close function. The test devices can either be clamped into an universal mobile phone attachment or put simply into the Shielding Box. The operation of the test samples can be done by using the numerous included communication interfaces.



Characteristics

- ▶ Highest quality materials for extended life time and high test appearance
- ▶ Economical solution for very high RF shielding levels and reproducible test scenarios to avoid time-consuming and expensive tests at EMC laboratories
- ▶ Usable for frequencies between 500 MHz to 6000 MHz, such as GSM / DCS / DECT / UMTS / RFID / ZigBee / Bluetooth / WLAN etc.
- ▶ Interior reflections reduction by RF foam absorber material
- ▶ Optional: Additional reflection reduction by ferrite absorbers beneath the foam absorber material
(= Shielding Box MSB-0022)
- ▶ Weight optimized structure improves the mobility Highest safety standards through increased slip resistance and gas prop cover holder
- ▶ Integrated universal attachment for most types of mobile phones
- ▶ A wide range of supply and communication interfaces are included as standard
- ▶ Optional: interfaces and connectors to customers specifications
- ▶ Shielding Boxes with other dimensions can be designed according to customers individual requirements



Shielding Box MSB-0021-Absorber

MTS-No.: 59.61.0021

Configuration:

3x SMA connections, 2x twinax BNC, 2x SUB-D 9-pole (RS-232), 1x XLR, 1x USB, 2x banana jack (voltage connectors) and 1x 230V power plug

Technical data:

1 RF-specifications:

1.1 Impedance	50 Ω
1.2 Frequency range	700 MHz – 4200 MHz
1.3 Shielding	90 dB typ. @ 700 MHz - 3 GHz, 70 dB typ. @ 3 GHz – 4,2 GHz

3.5 Surface	Aluminium chemical nickel-plated (20 - 25 µm)
3.6 Absorber	Inside coated with RF-absorber mats Hyfral APC8
3.7 Weight MSB-0021	33,5 kg
Weight MSB-0022	62,5 kg

2 Connections (outside / inside):

2.1 Antenna interface	3x SMA female / SMA female and 2x Twinax-BNC female / Twinax-BNC female
2.2 Serial interface	2x SUB-D 9-pole female / SUB-D 9-pole male
2.3 Audio interface	1x XLR-flange 3-pole female / XLR-flange 3-pole male
2.4 USB interface	1x USB 2.0 type A female / type A female
2.5 Voltage connectors	2x Banana jack 4 mm / banana jack 4 mm, filtered, with protection against polarity reversal (+VDC, -VDC)
2.6 Ground connection	Screw M4 (only outside)
2.7 Mains voltage supply	Power plug (IEC 60320 C14) / 230 V AC power jack (CEE7/4), filtered

4 Delivered parts:

Shielding Box MSB-0021-Absorber
Power cable
Operating manual (on CD)

5 Comments:

Warranty	12 months
RoHS-compliant	No

6 Recommended accessories:

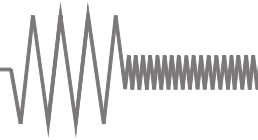
USB-cable
Interior lighting
Stripline antenna
Assembled RF-cables

7 Options:

Additional plane ferrite absorbers C-RAM FT under the APC8-Absorbers (= model MSB-0022-Ferrite).

3 General specifications:

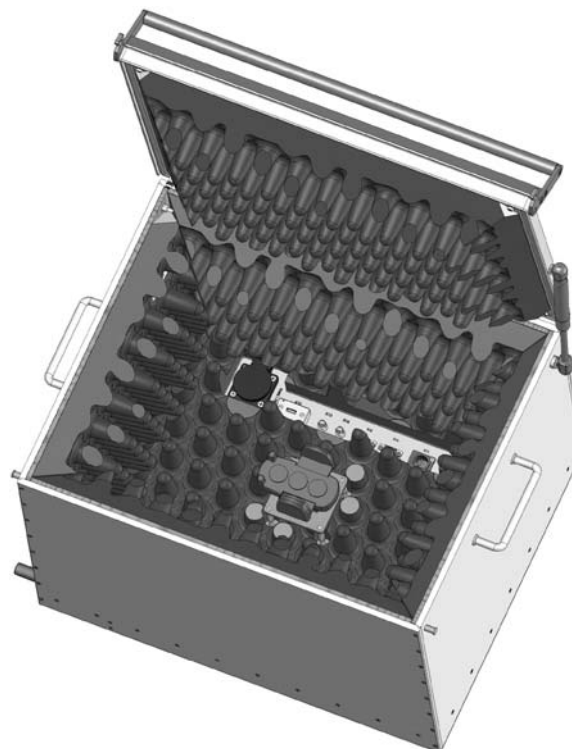
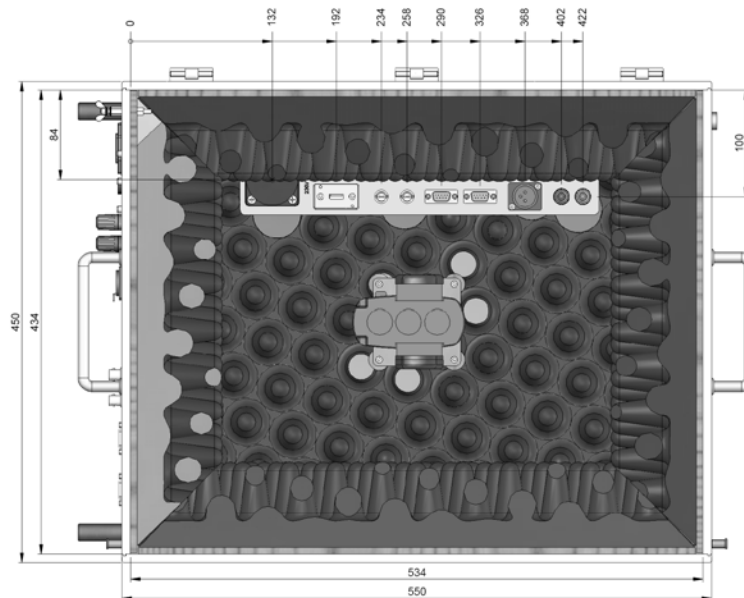
3.1 Power supply	100 V - 240 V AC, 50 Hz / 60 Hz, 1 A max.
3.2 Operating temperature	+0 °C - +50 °C
3.3 Reference temperature for specifications	+25 °C
3.4 Dimensions (without protruding parts, like handles, connectors, etc.)	Outside: 550 x 450 x 400 (LxWxH in mm) Inside: 370 x 270 x 200 (LxWxH in mm)

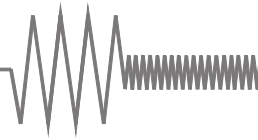


Shielding Box MSB-0021-Absorber

MTS-No.: 59.61.0021

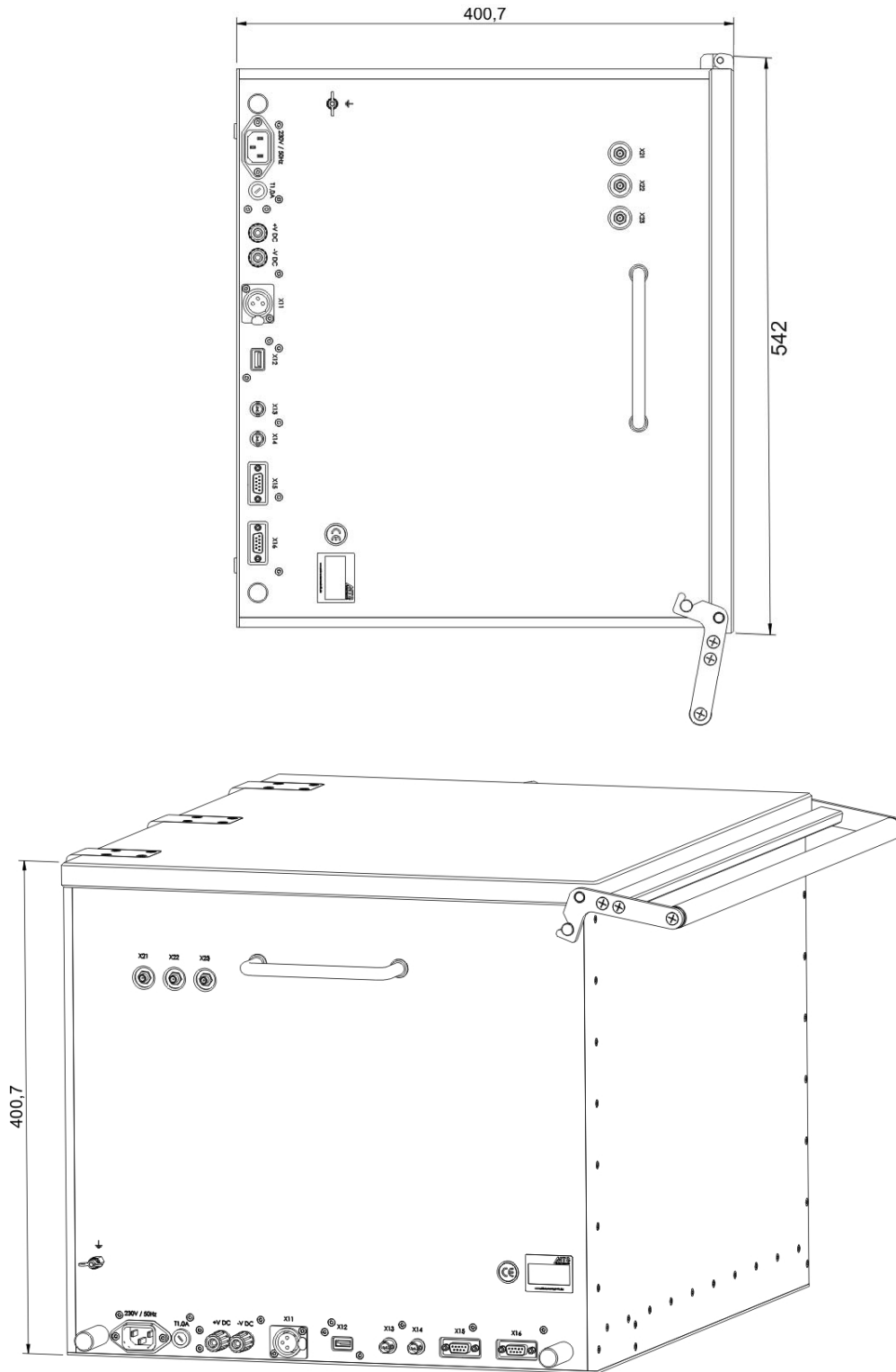
Views:

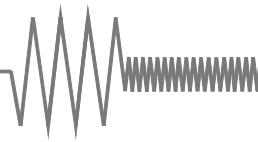




Shielding Box MSB-0021-Absorber

MTS-No.: 59.61.0021





Shielding Box MSB-0021-Absorber

MTS-No.: 59.61.0021

Measurement of the shielding (typ.)

