

Series LT

The passive power splitters of the series LT are designed to work at frequency ranges between 500 and 2900 MHz.

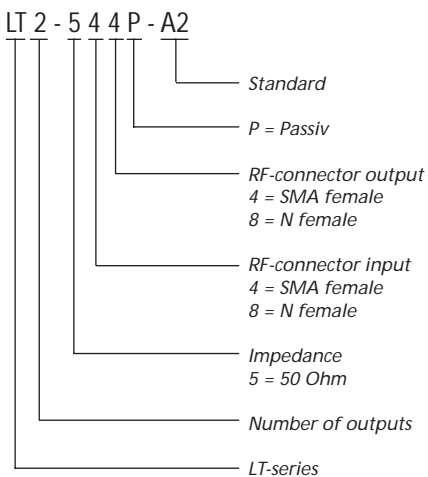
In this frequency range are for e. g. the tapes from GSM, DECT, UMTS, bluetooth (ISM), etc..

The units can be used as dividers or combiners.

- Divider / combiner
- Application are e. g. GSM, DECT, UMTS, bluetooth
- Other models on request



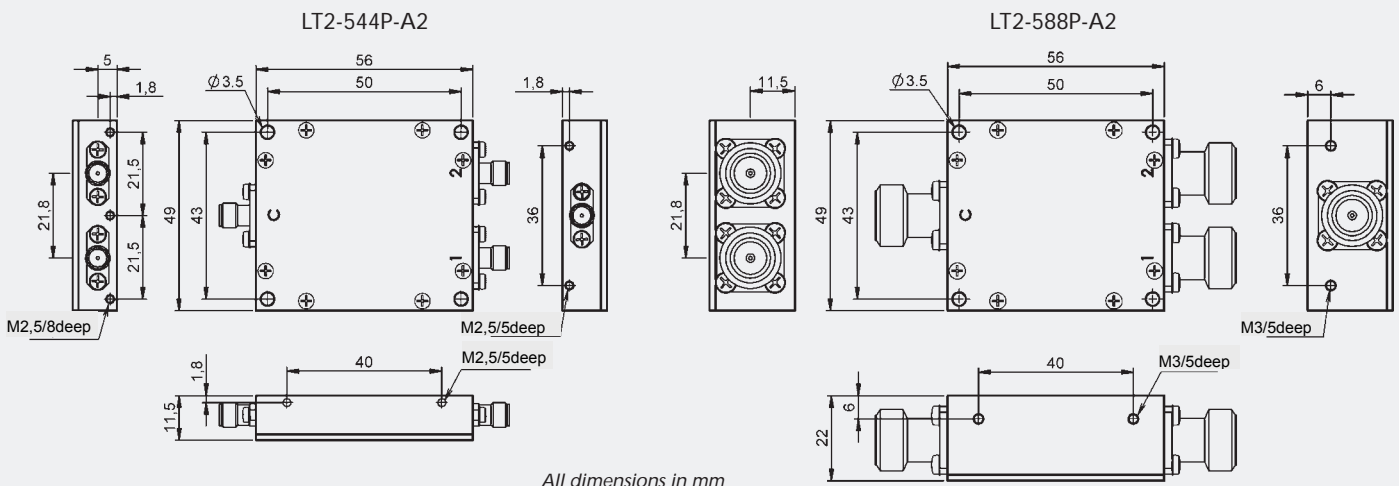
Model designation



Technical data (guaranteed values at +25 °C)

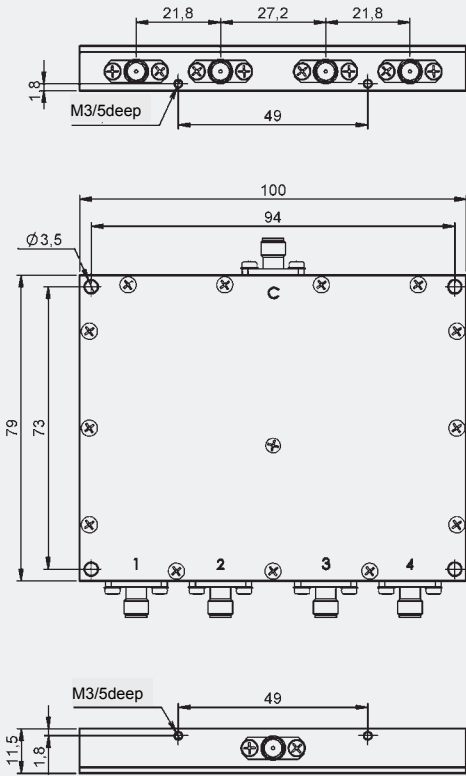
Frequency range	500 – 2900 MHz		
At frequency range	800 – 2400 MHz	500 – 2900 MHz	
Insertion loss	2-way	0,3 dB typ./0,5 dB max.	0,5 dB typ./1,0 dB max.
	4-way	0,5 dB typ./1,0 dB max.	0,8 dB typ./1,5 dB max.
	8-way	0,8 dB typ./1,5 dB max.	1,5 dB typ./2,5 dB max.
VSWR IN/OUT	2-way	1,3 : 1 typ./1,5 : 1 max.	1,5 : 1 typ./1,8 : 1 max.
	4-way	1,3 : 1 typ./1,5 : 1 max.	1,5 : 1 typ./1,8 : 1 max.
	8-way	1,5 : 1 typ./1,8 : 1 max.	1,5 : 1 typ./2,0 : 1 max.
Insolation	2-way	23 dB typ./20 dB min.	13 dB typ./10 dB min.
	4-way	23 dB typ./20 dB min.	13 dB typ./10 dB min.
	8-way	20 dB typ./18 dB min.	11 dB typ./ 9 dB min.
Impedance	50 Ω		
RF-connectors	SMA female, N female		
Temperature range	-40 °C to +60 °C		
Phase difference at the output 0°			
Maximum RF-power	Splitter: 5 W max.		
	Combiner: 1 W max. per port		

Enclosure dimensions and possible variations

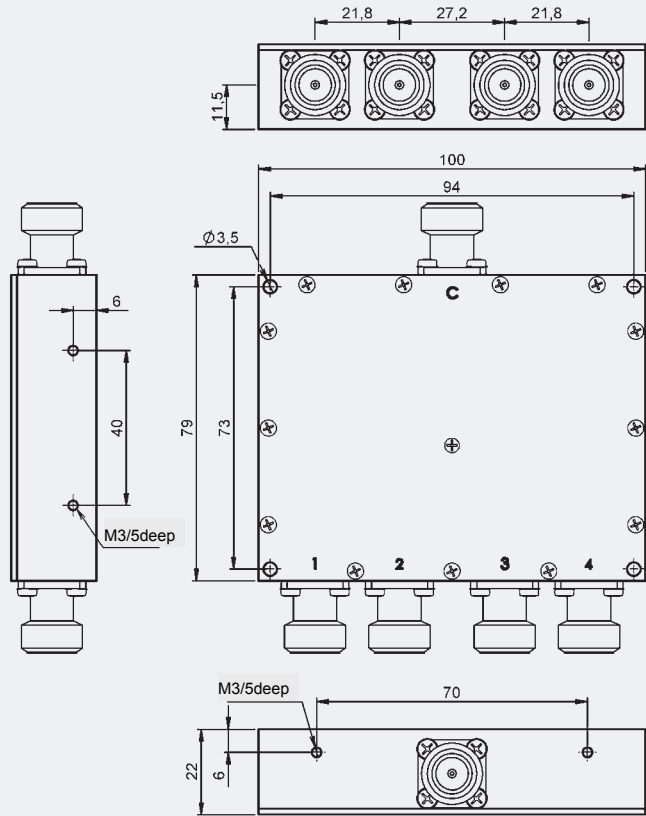


Enclosure dimensions and possible variations

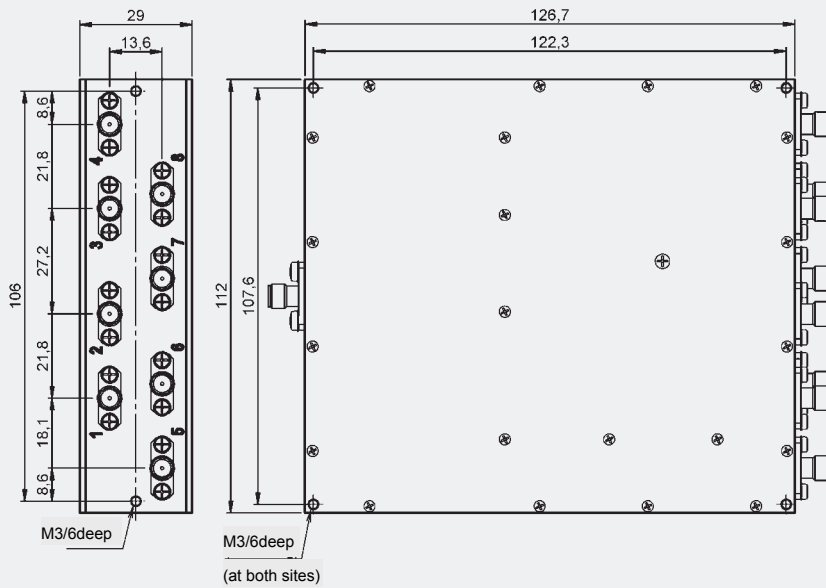
LT4-544P-A2



LT4-588P-A2



LT8-544P-A2



LT8-584P-A2

