

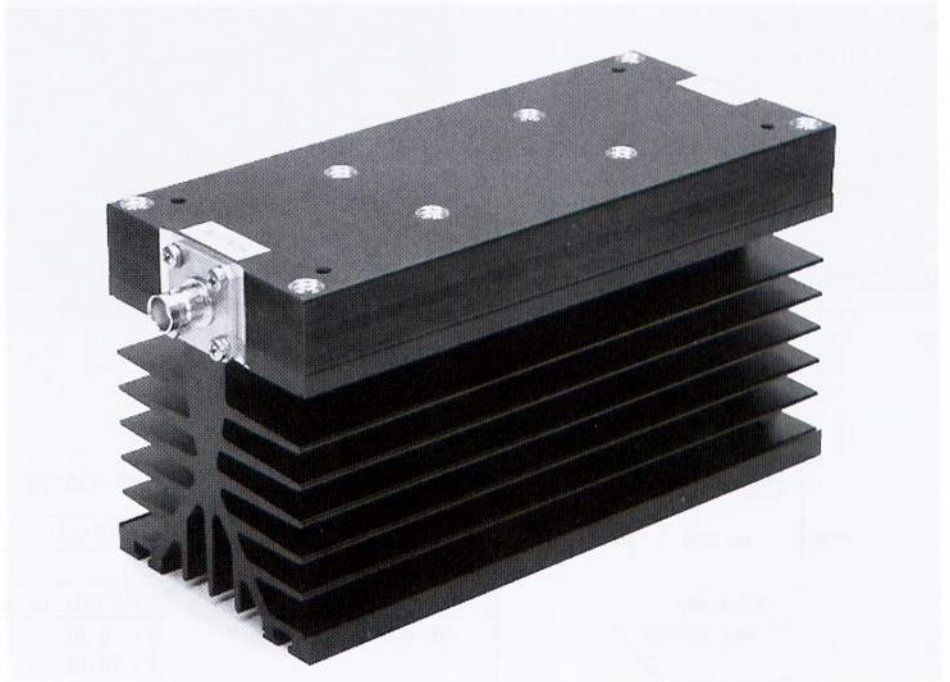
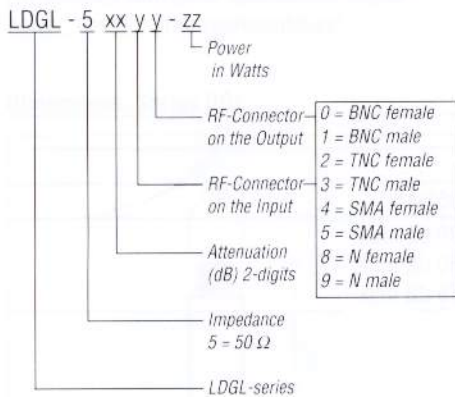
High Power Attenuators, Series LDGL

High Power Terminations, Series LAW

The high power attenuators series LDGL are non symmetric attenuators. This means that it's not allowed to interchange input and output. For fixed mounting it is possible to screw on the attenuators.

These high power attenuators can be offered with attenuation from 1 dB to 30 dB in 1 dB steps. It is possible to have a cooling fan mounted to the attenuator block. Details and full specifications on request.

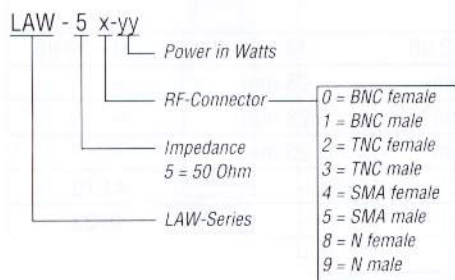
Model Designation, Series LDGL



High Power Attenuators, Series LDGL

Power Handling	10 W	50 W
Frequency Range	DC – 2 GHz	DC – 2 GHz
Impedance	50 Ω	50 Ω
Attenuation	1 – 10 dB ±0.5 dB max. 20 dB ±1.0 dB max. 30 dB ±1.5 dB max.	1 – 10 dB ±0.5 dB max. 20 dB ±1.0 dB max. 30 dB ±1.5 dB max.
VSWR	DC – 1 GHz; 1.3 : 1 1 – 2 GHz; 1.4 : 1	DC – 1 GHz; 1.3 : 1 1 – 2 GHz; 1.4 : 1
RF-Connectors**	N, SMA, BNC, TNC*	N, SMA, BNC, TNC*
Dimensions (L x W x H)	100 x 58 x 67 mm	180 x 80 x 98,5 mm
Temperature Range	-20 to +40 °C	-20 to +40 °C
Weight	approx. 0.8 kg	approx. 2 kg

Model Designation, Series LAW



High Power Terminations, Series LAW

Power Handling	10 W	60 W
Frequency Range	DC – 2 GHz	DC – 2 GHz
Impedance	50 Ω	50 Ω
RF-Connector	N, SMA*	N, SMA*
Dimensions (L x W x H)	100 x 58 x 67 mm	180 x 80 x 98.5 mm
Temperature Range	-20 to +40 °C	-20 to +40 °C
Weight	approx. 0.8 kg	approx. 2 kg

* Other connectors available on request.

** Different connectors on the output and input possible.