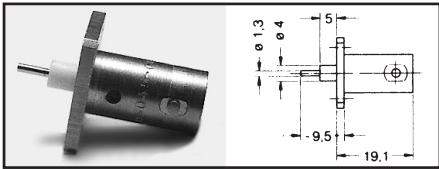
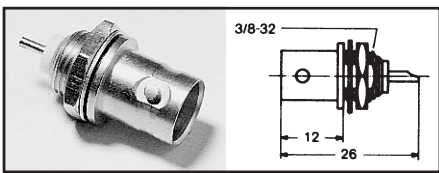


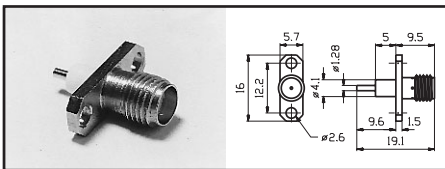
N
17,5 x 17,5 mm,
brass enclosure nickel-plated,
inner conductor gold-plated,
50 Ω, item no. 80.62.0001,
75 Ω, item no. 80.62.0004



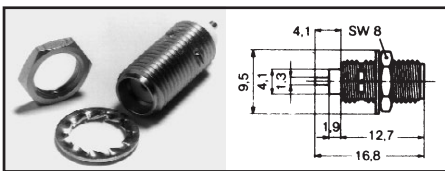
BNC
17,5 x 17,5 mm,
brass enclosure nickel-plated,
inner conductor gold-plated,
50 Ω, item no. 46.10.0010,
75 Ω, item no. 46.10.0014



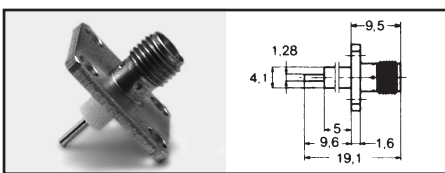
BNC
UG-1094,
brass enclosure nickel-plated,
inner conductor gold-plated,
50 Ω, item no. 46.10.0011,
75 Ω, item no. 46.10.0016



SMA
5,7 x 16 mm,
stainless steel enclosure passivated,
inner conductor gold-plated,
teflon 5 mm long,
50 Ω, item no. 80.42.0011



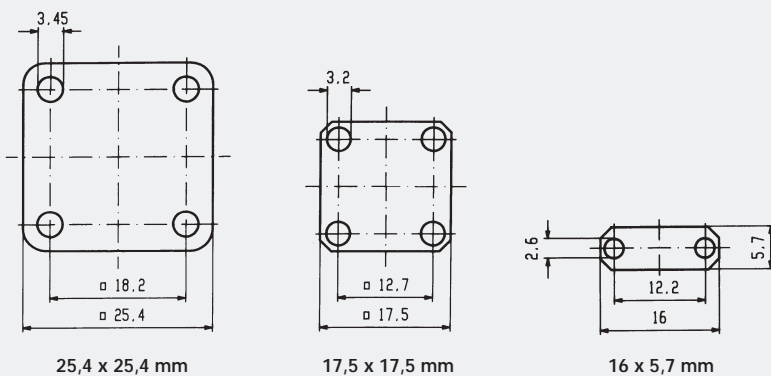
SMA
UNS 1/4-36,
brass gold-plated,
inner conductor gold-plated,
50 Ω, item no. 80.42.0010



SMA low priced
17,5 x 17,5 mm,
brass silver-plated,
inner conductor gold-plated,
50 Ω, up to 5 GHz,
item no. 80.42.0047

Request our universal catalogue!

Dimensions of flange



Worldwide active

IMS Connector Systems is worldwide active and supplies renowned customers allaround the globe.

Beside a RF development center in Germany we have modernst production centers in Hungary and China at our disposal.



Main office with development center in Löffingen / Germany



Production center in Sopron / Hungary



Production center in Suzhou / China

Request our special catalogue with preferred types in stock.



Visit our online-catalogue at www.imscs.com

