

KG series

These enclosures are specially customized (we produce unique pieces also). Customers will decide about width and depth. You can choose the height between 1 HU, 2 HU, 3 HU or 4 HU. (See side-pieces – chapter “profiles”). KG enclosures are used in data technology, in the electronic, in testing sets, in engine constructions, etc..

- **Material**
Aluminum
- **Content of delivery**
Enclosures with a 3mm thick front-and rear panel. Depth and width as required by the customer
- **Options**
We also offer handles and pedestals for the enclosures.

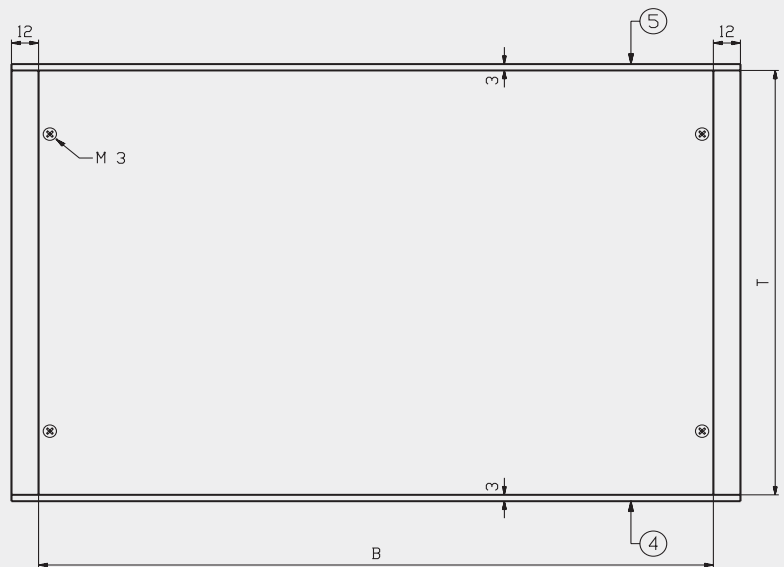
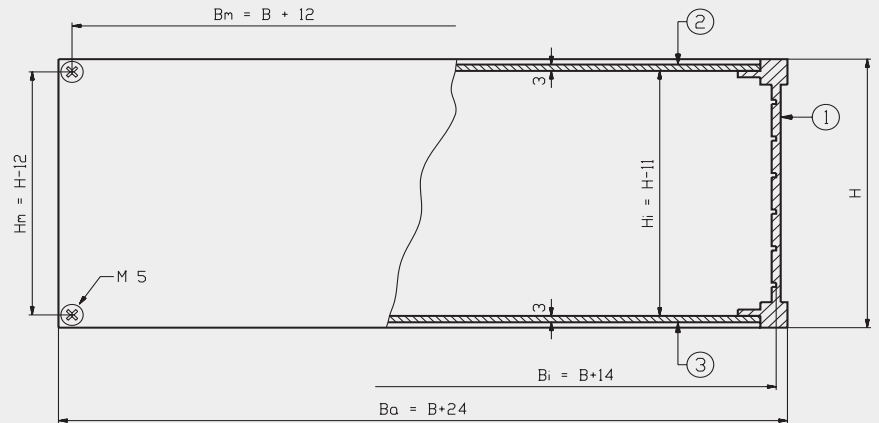
Profile overview, KG series

| Design | height unit (H) |
|--------|------------------|
| SP-1 | 1 HE (40,0 mm) |
| SP-2 | 2 HE (82,0 mm) |
| SP-3 | 3 HE (126,5 mm) |
| SP-4 | 4 HE (171,0 mm) |

Configuration of model designation

| | | | | | | | | |
|----|---|---|-----|---|-----|---|----|--|
| KG | 2 | - | 220 | - | 150 | - | TR | |
| | | | | | | | | Surface TR, TA, CN, TE, TEF (see technical information) |
| | | | | | | | | Width B (mm) |
| | | | | | | | | Depth T (mm) |
| | | | | | | | | Height H (HE) |
| | | | | | | | | Design |

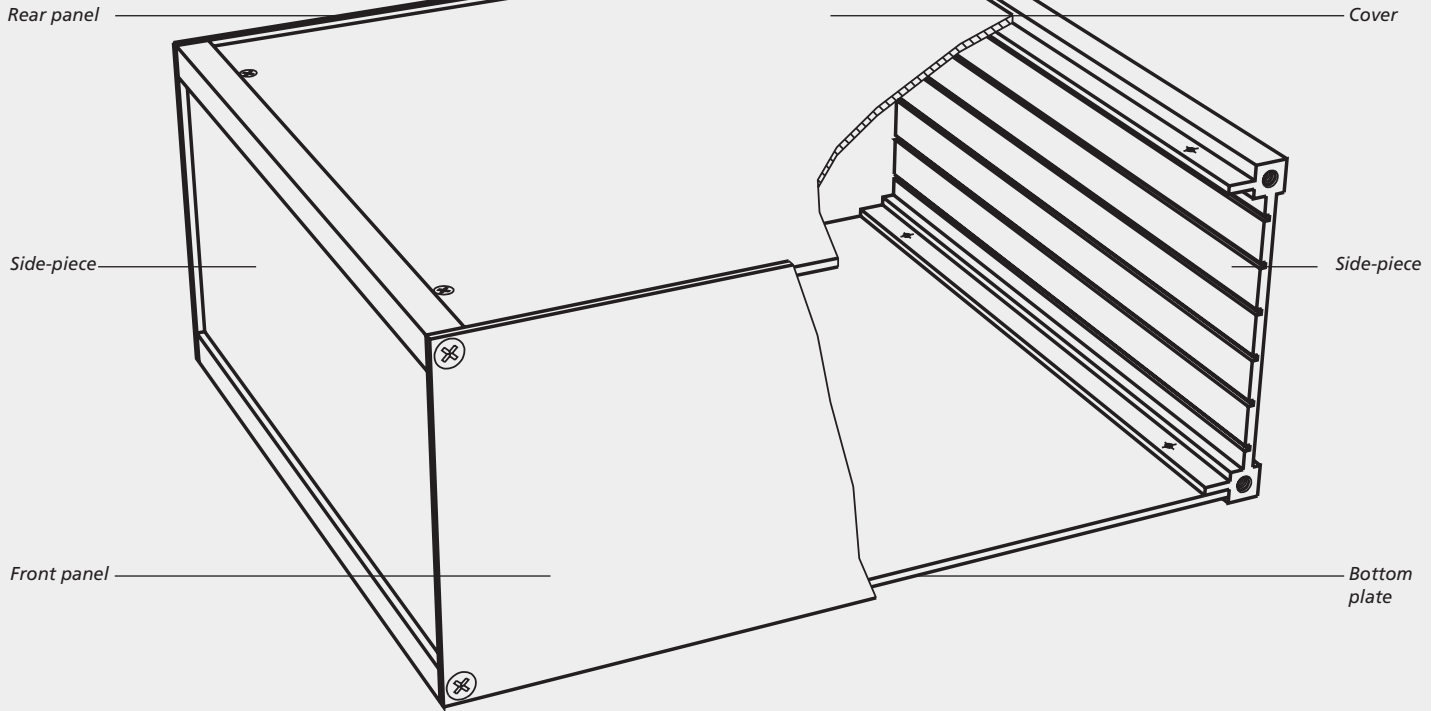
Dimensions, KG series



- ① Side-piece 1-4 HU
- ② Cover
- ③ Bottom plate
- ④ Front panel
- ⑤ Rear panel

Dimensions in mm

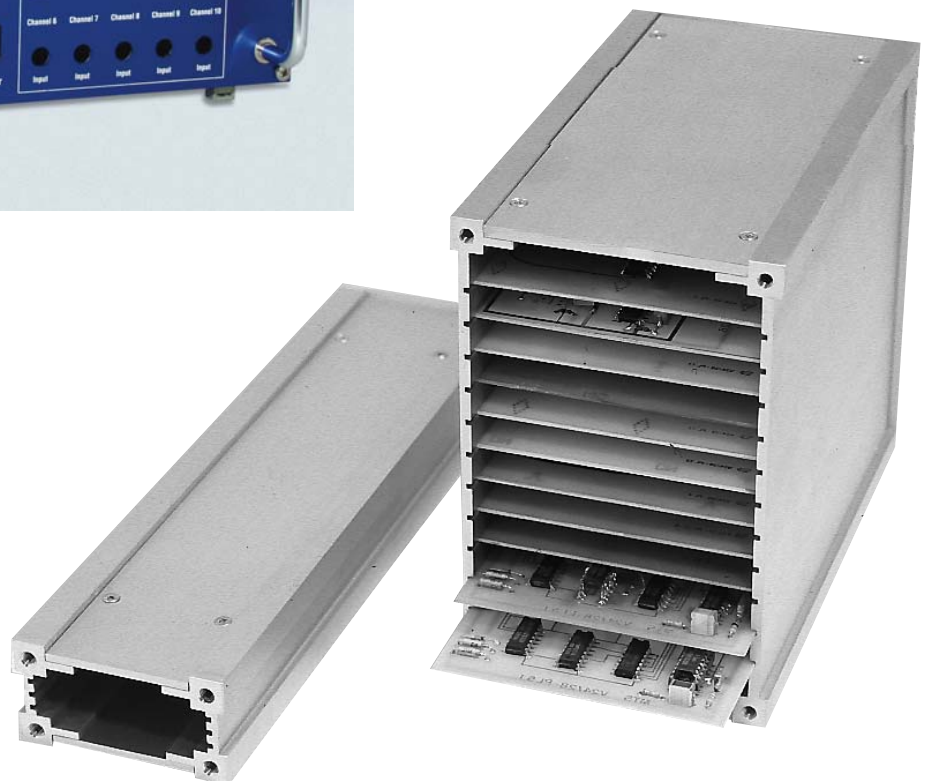
Sectional drawing, KG series



Application

Special design

We also design front panels on request, e.g. with drill holes, surface treatments, screen process, etc .



Application

The picture aside shows you an open enclosure equipped with circuit boards in European standard card format.