

## HK series

The 3-HU aluminum cassettes fit in every 4,4" module rack to DIN 41494 or, under assistance of guide bars (KF2 series), into any 19"-Europe card plug-in modules to DIN 41494. The HK serie is available in two different depths to take up Europe cards with 100 x 160 mm or 100 x 220 mm.

Both cassette types are available in 4 different widths (7 TE, 14 TE, 21 TE and 28 TE). The distance of the guide slots for the circuit boards is 1 TE (5,08 mm).

We also supply the cassettes with length partition walls on request.

### Standard surface

Cassette and rear panel vibratory finishing, colorless alodined. Front panel colorless anodized, the back chromized.

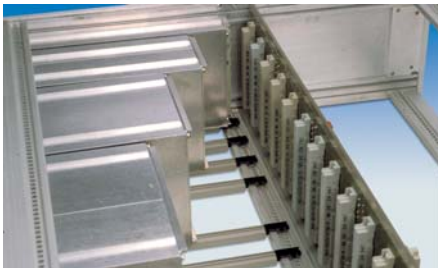
### Content of delivery

Cassette with mounted front and rear panel including M2,5 neck screws.

## Applications



Back with a mounted connector.



The HK cassettes can be placed individual in a module rack with 7 TE raster back plane.



The cassettes can be changed fast and without any problems.



The HK serie is available in 4 different widths and 2 different length.



RF-cassettes with different widths in a 19" module rack.

## Standard design

Design	Height of front panel (3 HU)	width of front panel B	Length of profile T
HK07-1	128,4 mm	7 TE = 35,2 mm	160 mm
HK04-2	128,4 mm	7 TE = 35,2 mm	220 mm
HK14-1	128,4 mm	14 TE = 70,8 mm	160 mm
HK14-2	128,4 mm	14 TE = 70,8 mm	220 mm
HK21-1	128,4 mm	21 TE = 106,3 mm	160 mm
HK21-2	128,4 mm	21 TE = 106,3 mm	220 mm
HK28-1	128,4 mm	28 TE = 141,9 mm	160 mm
HK28-2	128,4 mm	28 TE = 141,9 mm	220 mm

## Configuration of model designation

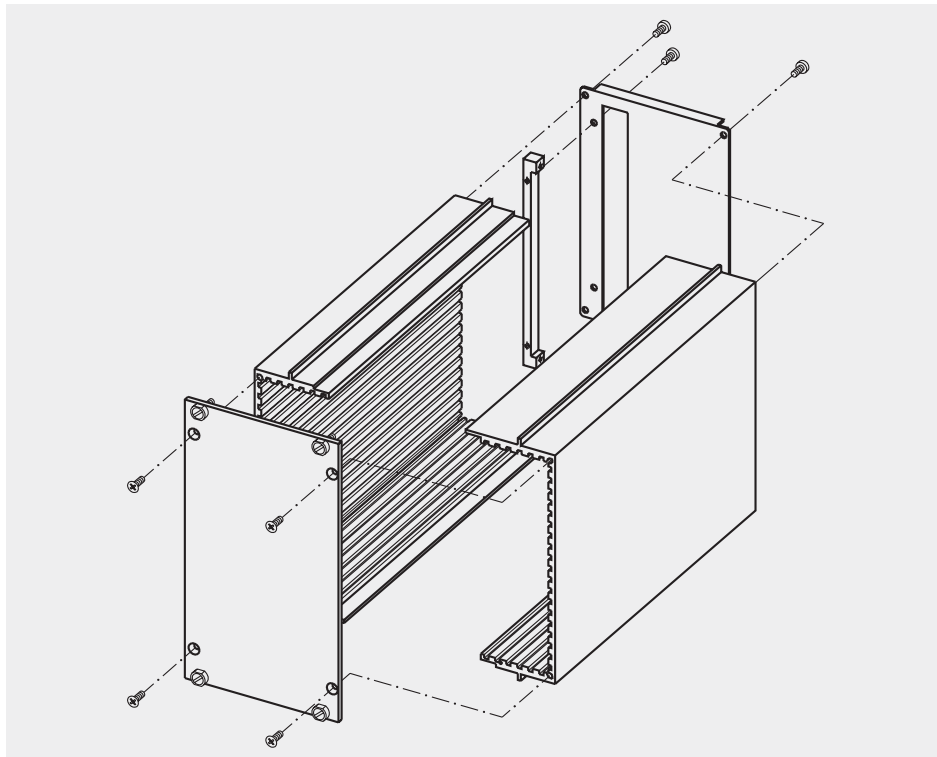
HK07 - 1 - 2 - 1

- 1 = Rear panel without millings
- 2 = Rear panel with millings for connectors to DIN 41612

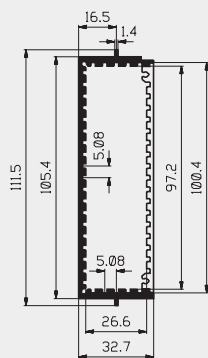
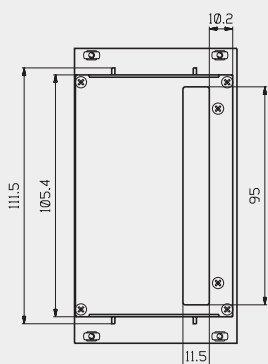
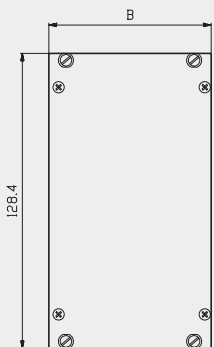
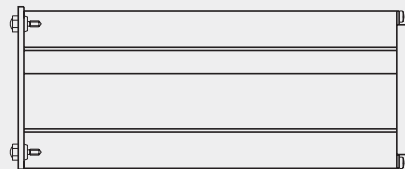
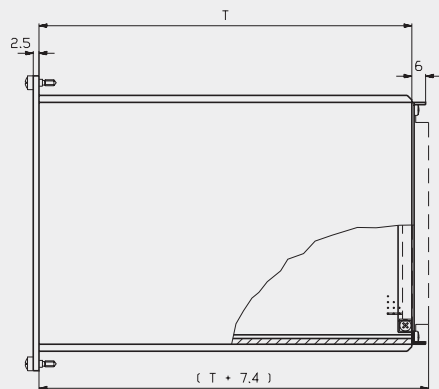
- 2 = with front panel, without handles
- 3 = with front panel, with handles

- 1 = for Europe cards 100 x 16 mm
- 2 = for Europe cards 100 x 220 mm

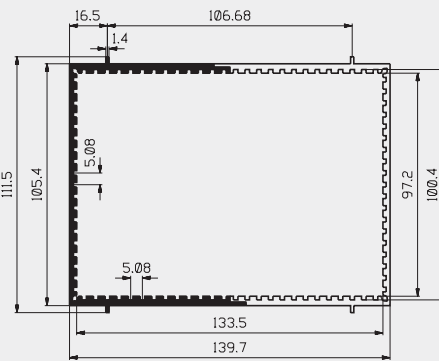
Design



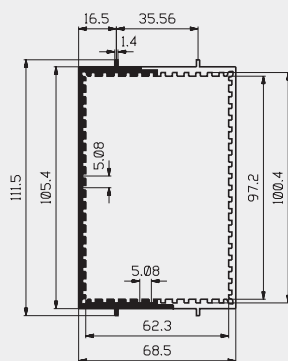
## Dimensions, HK series



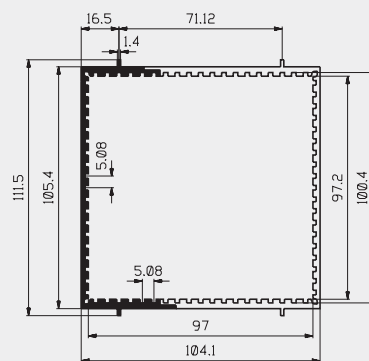
7 TE



28 TE



14 TE



21 TE