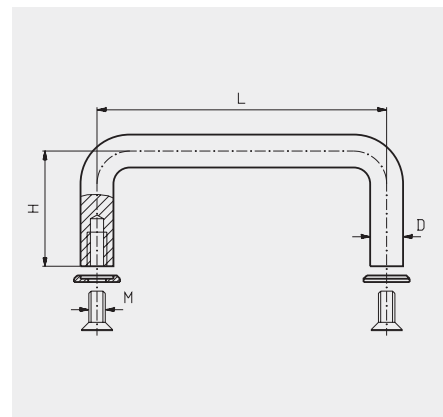


## GRS and GRA series

### GRS series

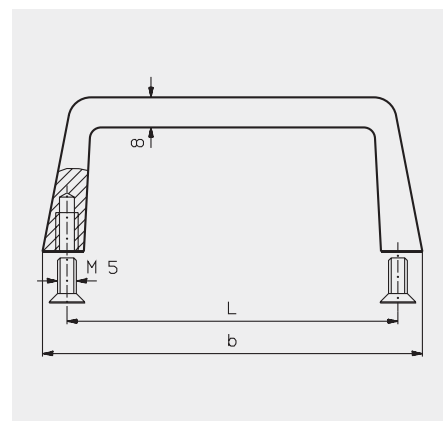
The handles of this series are made out of ground, polished, high gloss chromed round barsteel with 8 and 10 diameters. Female thread with M4 respectively M5. They'll be delivered by pairs with two washers and the matching screws.



Design	Height HU	Dimensions in mm			threads
		L	D	H	
GRS-12	1	32	8	29	M4
GRS-22	2	55	10	36	M5
GRS-32	3	88	10	36	M5
GRS-42	4	120	10	36	M5
GRS-52	5/6	180	10	36	M5

### GRA series

All surfaces are sandblasted and anodized. The female thread is M5. They'll be delivered by pairs and with the matching screws.



Design	Height HU	Dimensions in mm	
		L	b
GRA-12	1	25	41
GRA-22	2	55	69
GRA-32	3	88	102
GRA-42	4	120	134
GRA-52	5/6	180	194