

## EH series

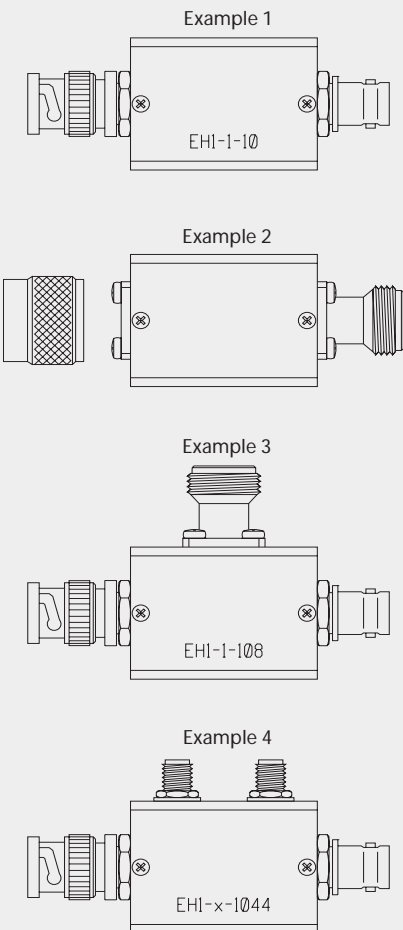
The enclosures are manufactured out of an aluminum tube and are closed at the ends with flat screws mounted covers on both sides.

Especially, they are suitable for building up attenuators or similar passive elements.

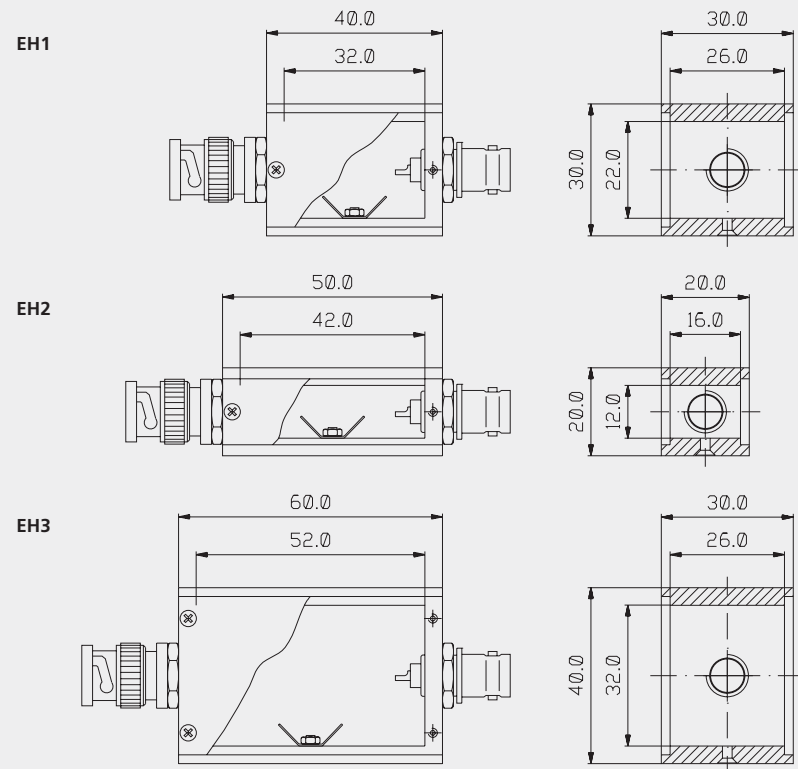
- Enclosures  
Aluminum base alloy
- Cover  
Aluminum base alloy  
2 mm thick, mounted with screws M2x6
- Content of delivery  
Enclosures with two flat covers including mounting material and RF-connectors.



### RF-different connecting interfaces, EH series



### Dimensions, EH series



<b>BNC female:</b>	0 = 50 Ω, M = 75 Ω
<b>BNC male:</b>	1 = 50 Ω, N = 75 Ω
<b>TNC female:</b>	2 = 50 Ω, P = 75 Ω
<b>TNC male:</b>	3 = 50 Ω, R = 75 Ω
<b>SMA female:</b>	4 = 50 Ω
<b>1.6/5.6 female:</b>	6 = 75 Ω
<b>1.6/5.6 male:</b>	7 = 75 Ω
<b>N female:</b>	8 = 50 Ω, S = 75 Ω
<b>N male:</b>	9 = 50 Ω, T = 75 Ω
<b>SMB female:</b>	A = 50 Ω
<b>SMC female:</b>	C = 50 Ω

Enclosure	Dimensions (mm)		
	La	Ba	Ha
EH1	40	30	30
EH2	50	20	20
EH3	60	40	30

All dimensions in mm

### Configuration of model designation

