

EG series

The 19" plug-in modules are available in 6 different heights. An extremely stable and robust construction is reached after using thick extrusion type side-pieces (4mm). Profile slots in the side pieces give the user the possibility to mount various components sideways, also. The side pieces can be exchanged fast and simple. Drill holes and other mechanical modifications, just like front panel lettering are possible on request.

The enclosures are delivered with handles, alternatively with chroming round bar steel or with cast aluminum. Different sizes and versions of these 19" plug-in module are available in short-term. If not specified, the bottom plate, the front and back panel are coated with a protection foil and the side-pieces are aluminum raw (vibro-finished).

Surface

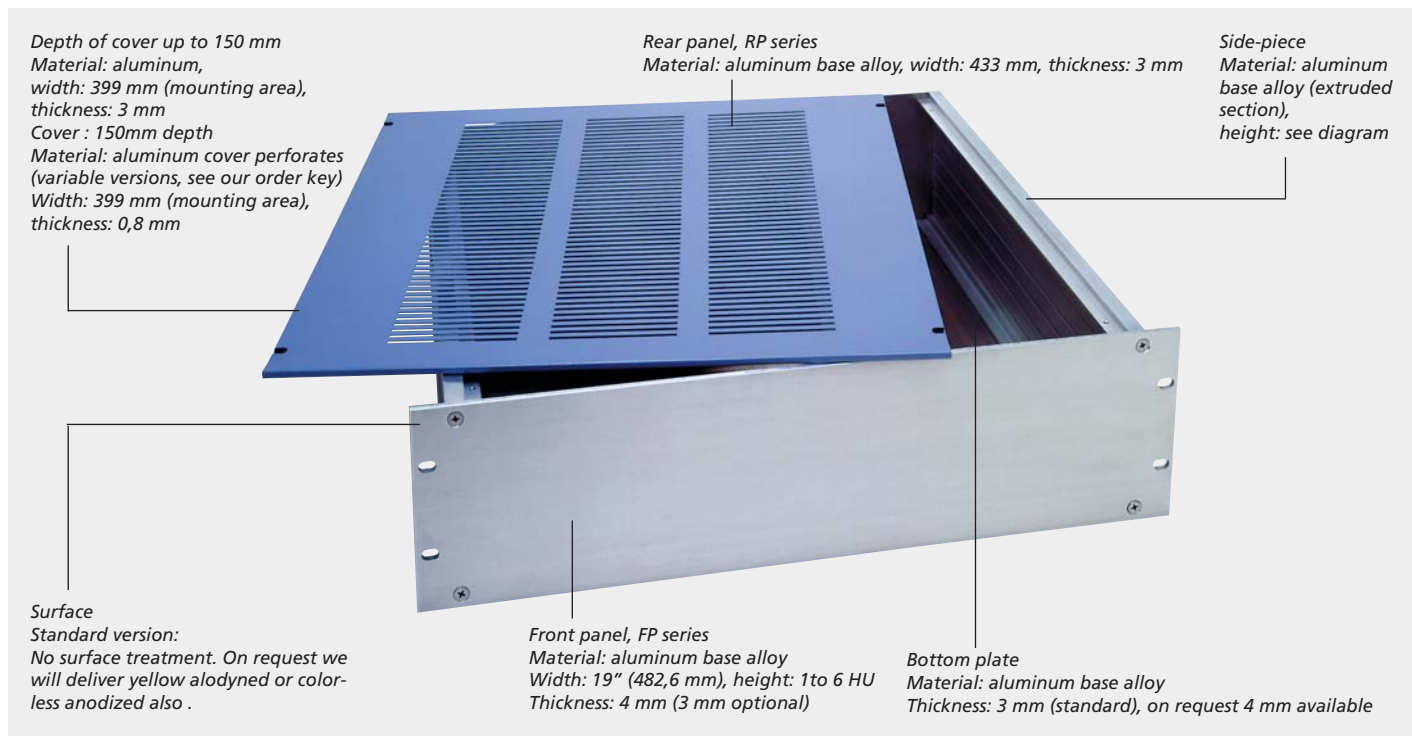
Following options are available: Nickel-plated, alodined or anodized (see technical information)

Content of delivery

Each 19" plug-in module is packed and delivered as a complete set including all necessary screws. Ordered without handles, the front panels won't have drill holes to mount handles.



Technical information, EG series



Information about 19" front and rear panels as well as handles, please see chapter "accessories".
Dimensions of side-pieces of the SP series see chapter "profiles".

Configuration of model designation

EG 1 - 150 - 1 - 4 - GRS-1 - X

T
Surface treatment
on request
(see technical infor-
mation)

Handle design
(on request)

Round bar steel
GRS-12 = 1 HU
GRS-22 = 2 HU
GRS-32 = 3 HU
GRS-42 = 4 HU
GRS-52 = 5 HU

Cast aluminum
GRA-22 = 2 HU
GRA-32 = 3 HU
GRA-42 = 4 HU
GRA-52 = 5 HU/6 HU

Front panel
3 = 3 mm thick
4 = (4 mm thick,
standard)

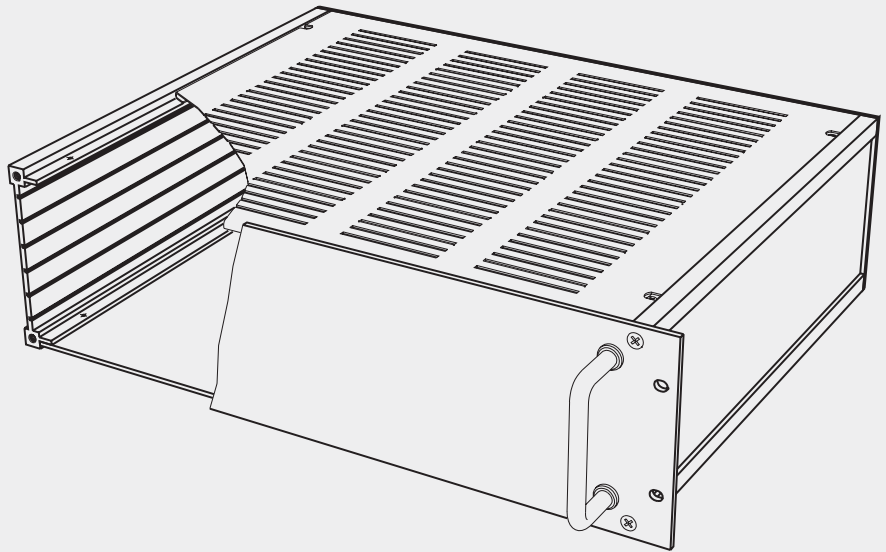
Cover
1 = perforated
aluminum
cover,
blue varnished,
standard depth
at 150 mm
2 = perforated
aluminum
cover,
surface: raw
3 = perforated alu-
minum cover,
surface: color
less anodized
4 = perforated
aluminum
cover,
surface: yellow
alodined
5 = perforated
steel cover,
surface: gray
varnished
6 = aluminum
cover, 3 mm
thick (raw, not
perforated),
standard depth
up to 150 mm

Depth (150 mm)

Basic design

Perforated covers are only available in the sizes
150 / 250 / 350 / 450

Sectional drawing, EG series

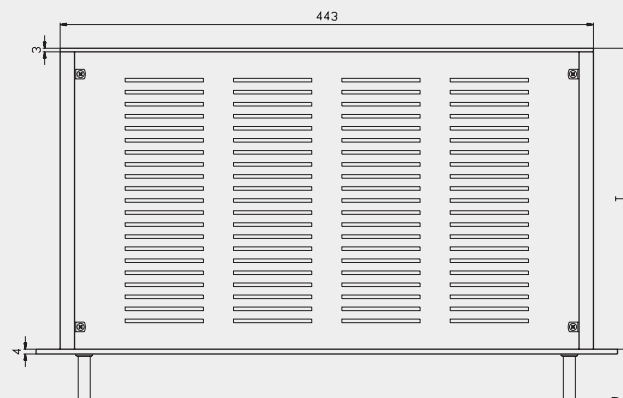
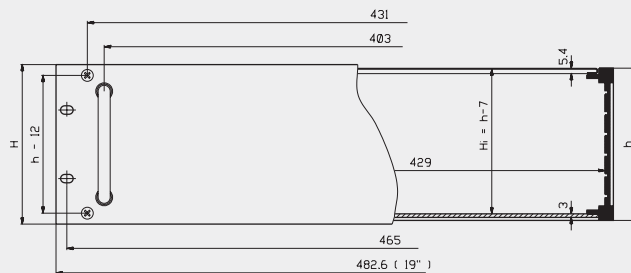


Standard design

Depth T (mm)	1-HE-Model h = 40 mm	2-HE-Model h = 82 mm	3-HE-Model h = 126,5 mm	4-HE-Model h = 171 mm	5-HE-Model h = 208,5 mm	6-HE-Model h = 253 mm
100	EG1-100-6-4	EG2-100-6-4	EG3-100-6-4	EG-4-100-6-4	EG5-100-6-4	EG6-100-6-4
150	EG1-150-1-4	EG2-150-1-4	EG3-150-1-4	EG-4-150-1-4	EG5-150-1-4	EG6-150-1-4
250	EG1-250-1-4	EG2-250-1-4	EG3-250-1-4	EG-4-250-1-4	EG5-250-1-4	EG6-250-1-4
350	EG1-350-1-4	EG2-350-1-4	EG3-350-1-4	EG-4-350-1-4	EG5-350-1-4	EG6-350-1-4
450	EG1-450-1-4	EG2-450-1-4	EG3-450-1-4	EG-4-450-1-4	EG5-450-1-4	EG6-450-1-4
550	EG1-550-1-4	EG2-550-1-4	EG3-550-1-4	EG-4-550-1-4	EG5-550-1-4	EG6-550-1-4
650	EG1-650-1-4	EG2-650-1-4	EG3-650-1-4	EG-4-650-1-4	EG5-650-1-4	EG6-650-1-4

5 HU versions are based on a combination of side-pieces of the type SP2 (2 HU) and the type SP3 (3 HU).
6 HU versions are based on a combination of side-pieces of the type SP3 (3 HU).

Dimensions, EG series



Dimensions in mm